



Lounger sectional

assembly instructions





Smooth & Wrinkle-Free Fabric Covers:

In addition to these printed instructions, you may want to watch our beauty tips videos on the customer service page of our website. The videos show demonstrations on how to apply the fabric covers and make them smooth and wrinkle free.



Renewability: Individual foam and fabric parts are available. You no longer have to worry that something will happen and you'll just have to live with it. From pet attacks to paint spills, it's easy to recover from a furniture accident.

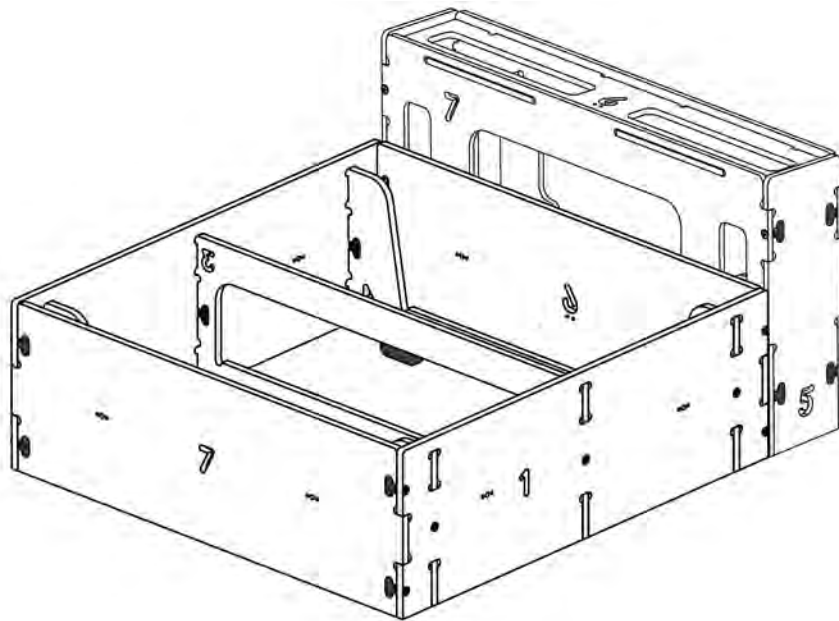
CUSHIONS

Foam: The seat cushions will feel firm at first. That's intentional, since firmer foam lasts longer. You can shorten the break-in period by putting the cushions on the floor and walking on them for a few minutes.



Fabric Exchange: To use our 30-day fabric cover exchange program, contact us and we'll lead you through the process. Keep the covers out of actual use to preserve them in new, unused, and clean condition. Fold them neatly when repackaging to avoid wrinkles.

FRAME ASSEMBLY



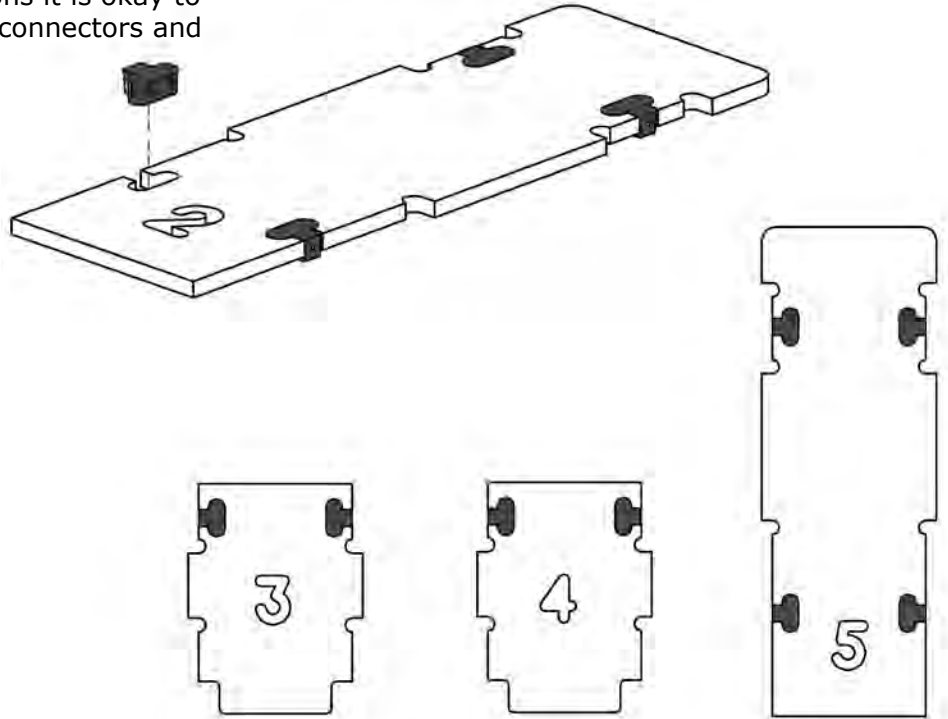
Tools needed: Phillips Screwdriver or powered drill with a Phillips screwdriver bit.

A sanding pad is included in case you wish to smooth over any of the surfaces or edges after the frame is assembled. It is not necessary to sand any of the frame parts during assembly. No glue will be used during assembly. Item will be ready for use immediately.

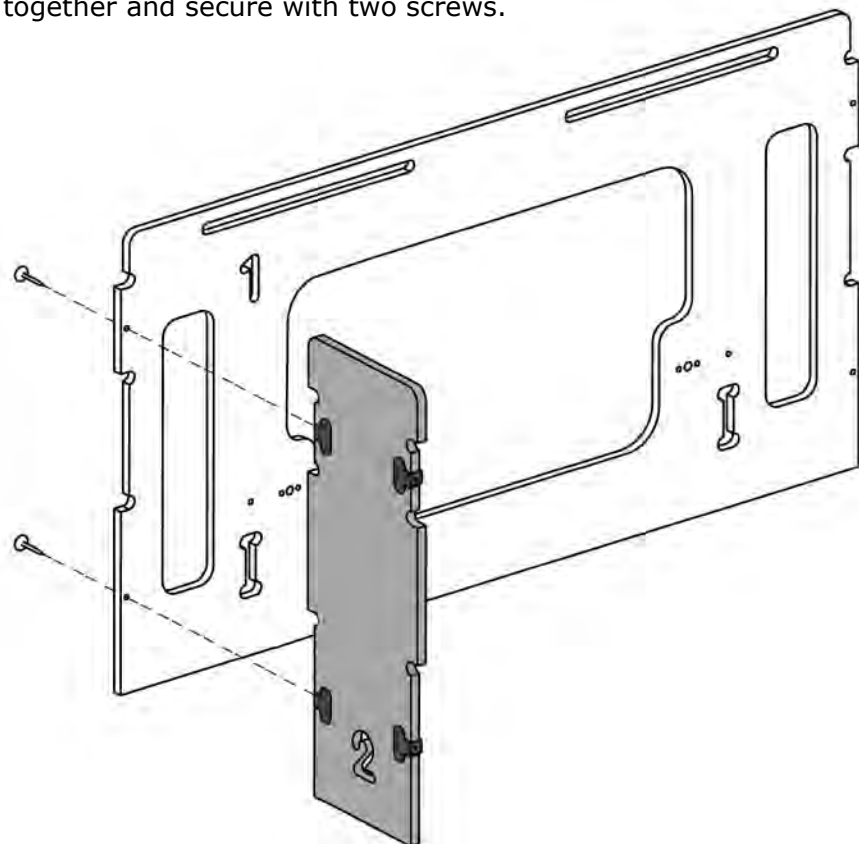
Arm Assembly

Open the box and set aside the foam and fabric for later. Leave the wood parts in the boxes, we will take them out as needed.

- 1** Take wood parts 1-7 out of the box. Open the parts bag and insert the black plastic T-connectors into the parts shown here. Throughout these instructions it is okay to use a hammer to tap the T-connectors and wood parts into position.

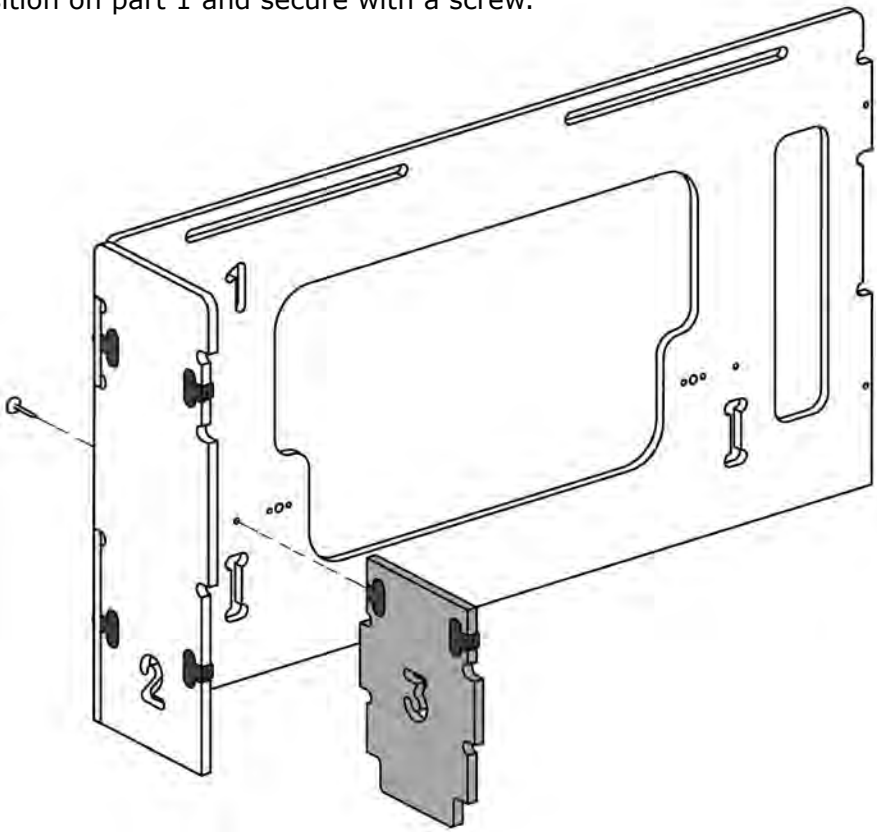


- 2** Connect parts 1 and 2 together and secure with two screws.



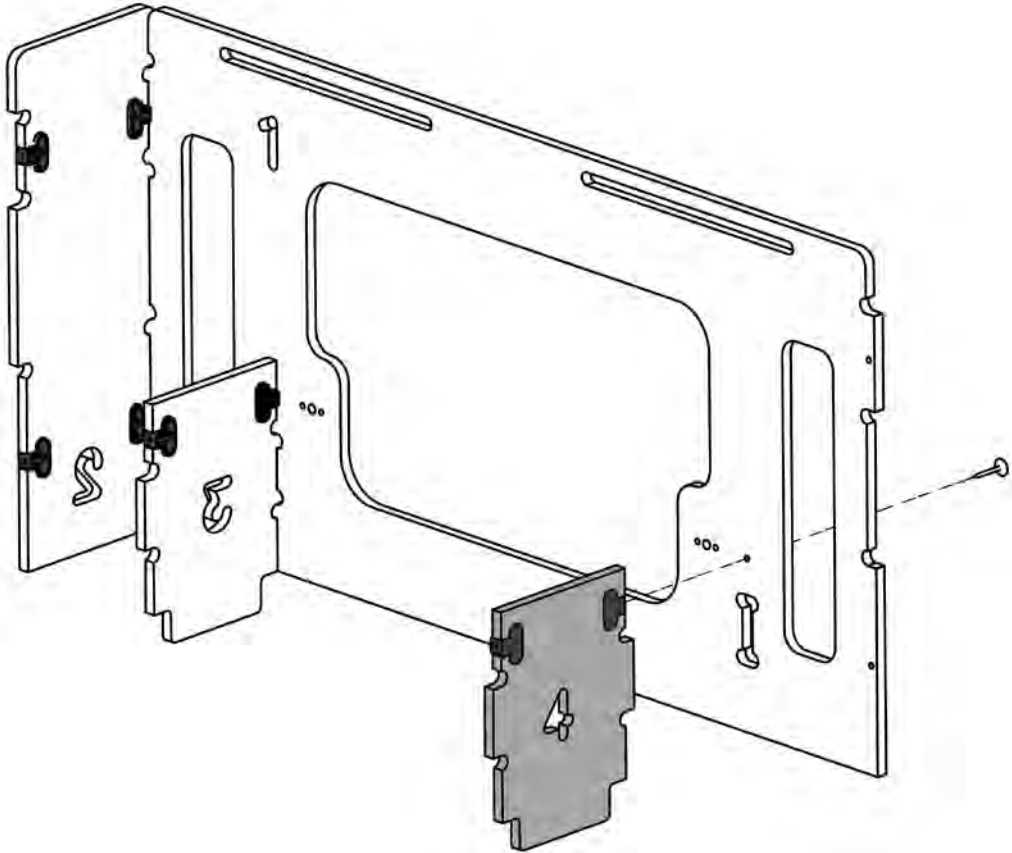
3

Place part 3 into position on part 1 and secure with a screw.

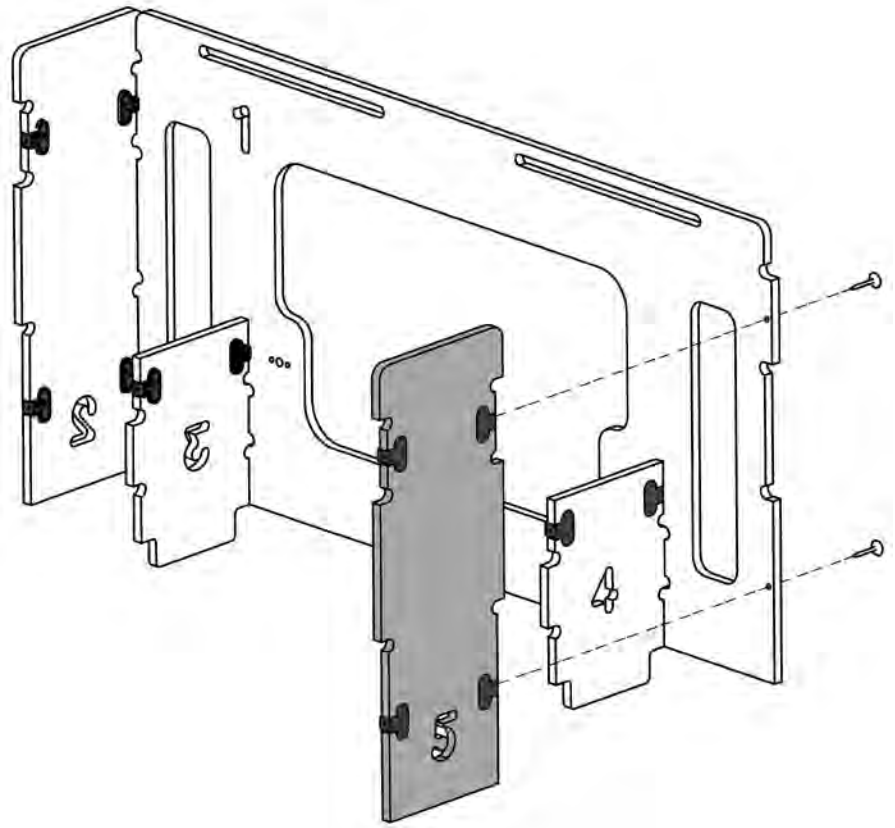


4

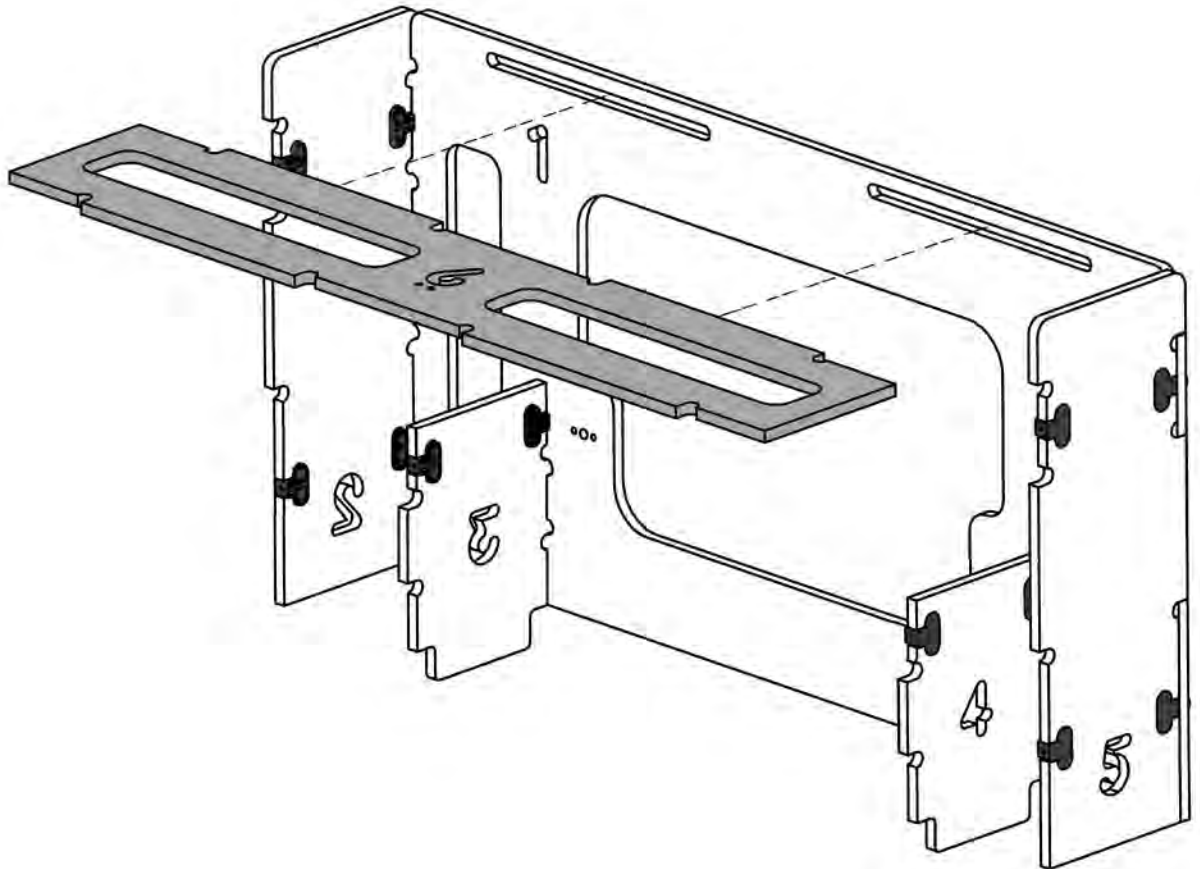
Place part 4 into position on part 1 and secure with a screw.



- 5** Connect parts 5 and 1 together and secure with two screws.

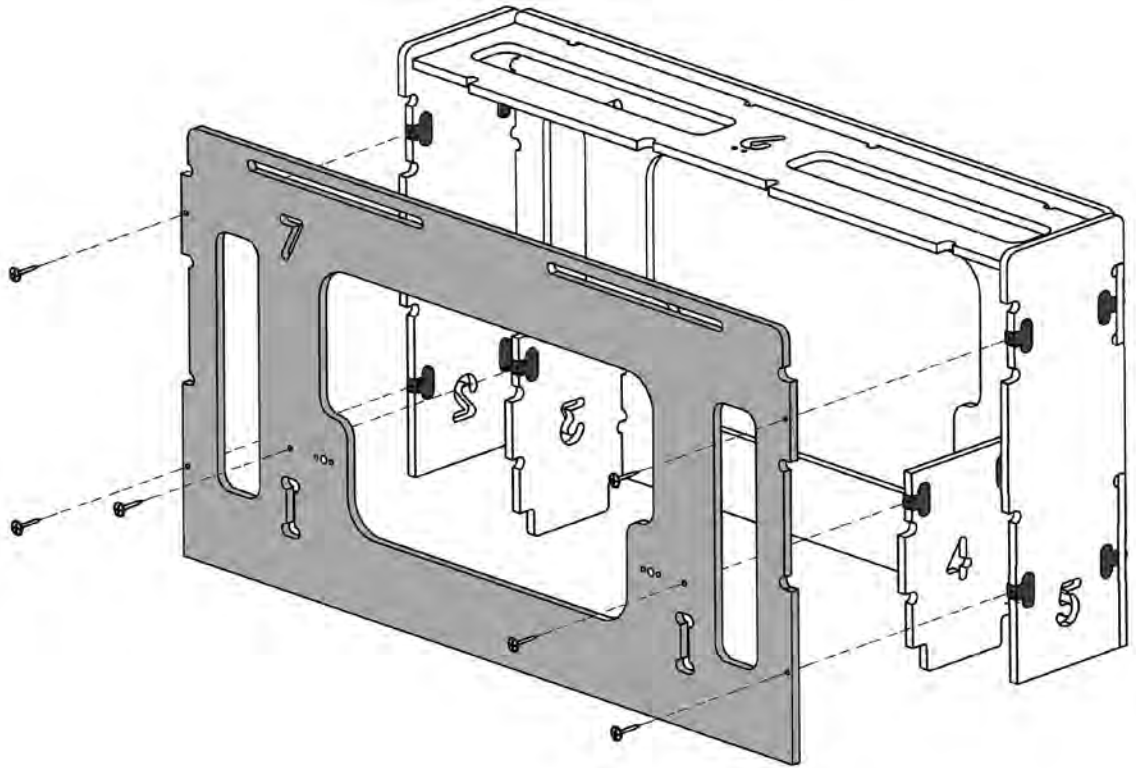


- 6** Place part 6 into position as shown.



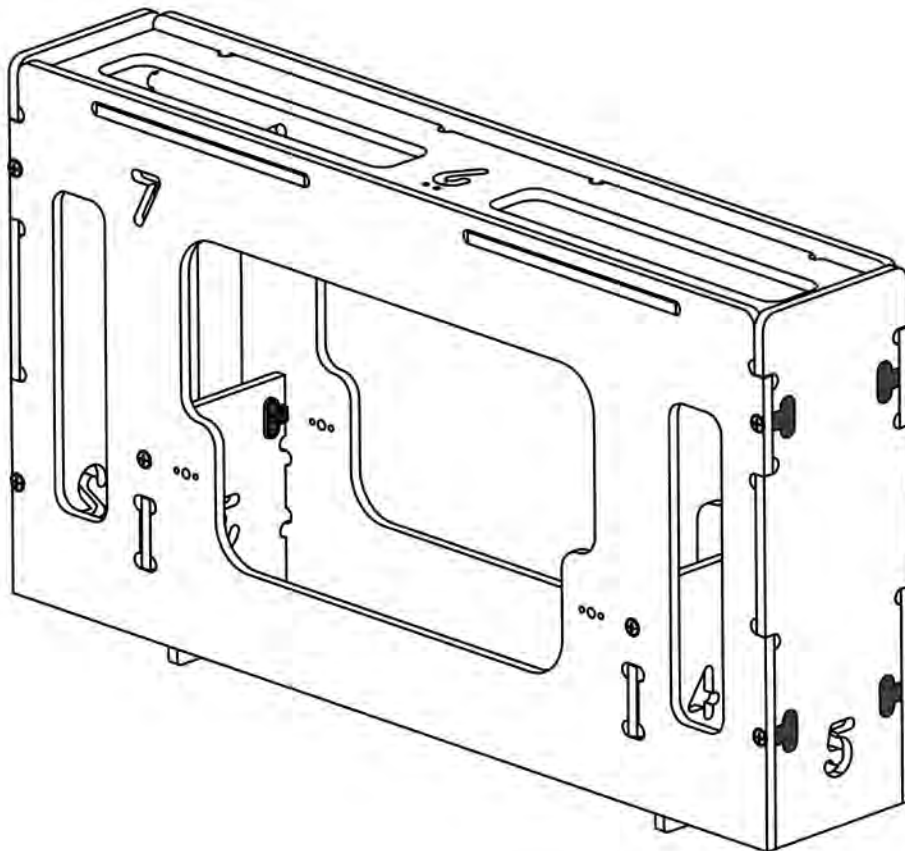
7

While holding part 6 in place, put part 7 into position on parts 2,3,4,5, 6 and secure with six screws.



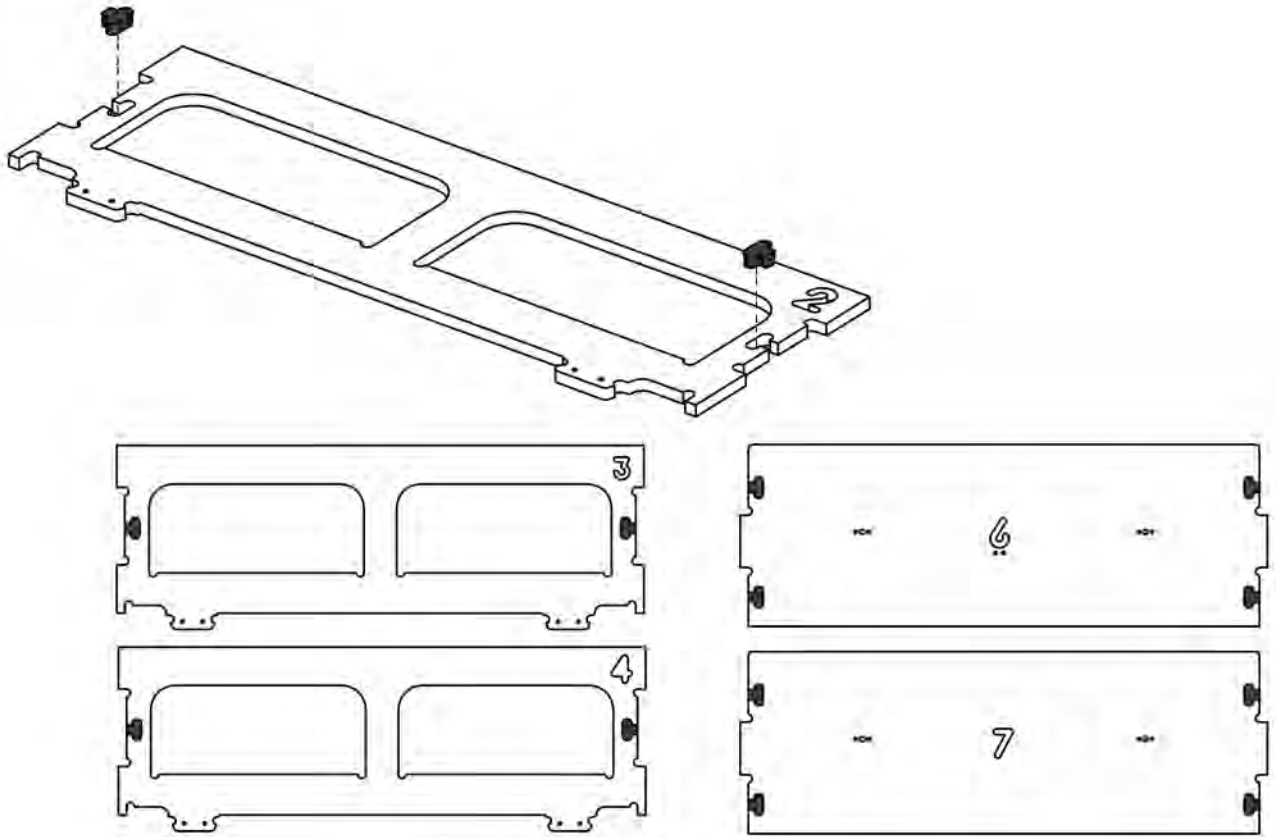
8

Set the arm aside.



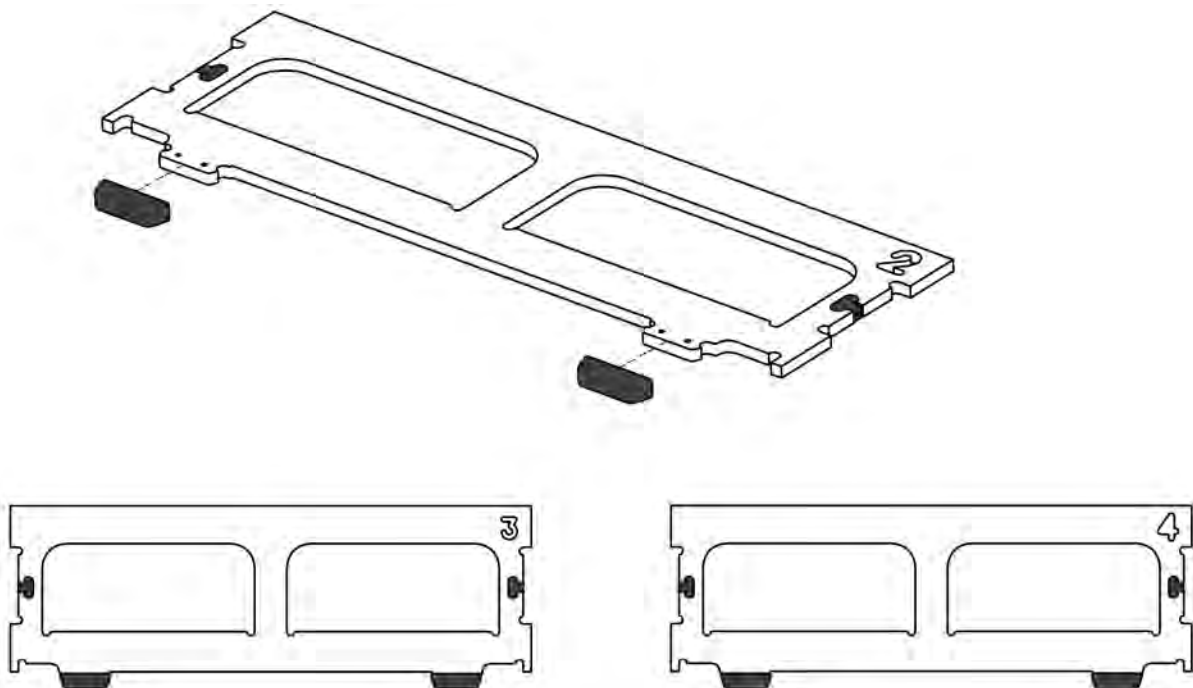
1

Now take the rest of the wood parts out of the box. Insert the black plastic T-connectors into the parts shown here. (Throughout the instructions it's OK to use a hammer to tap the T-connectors and wood parts into position.)

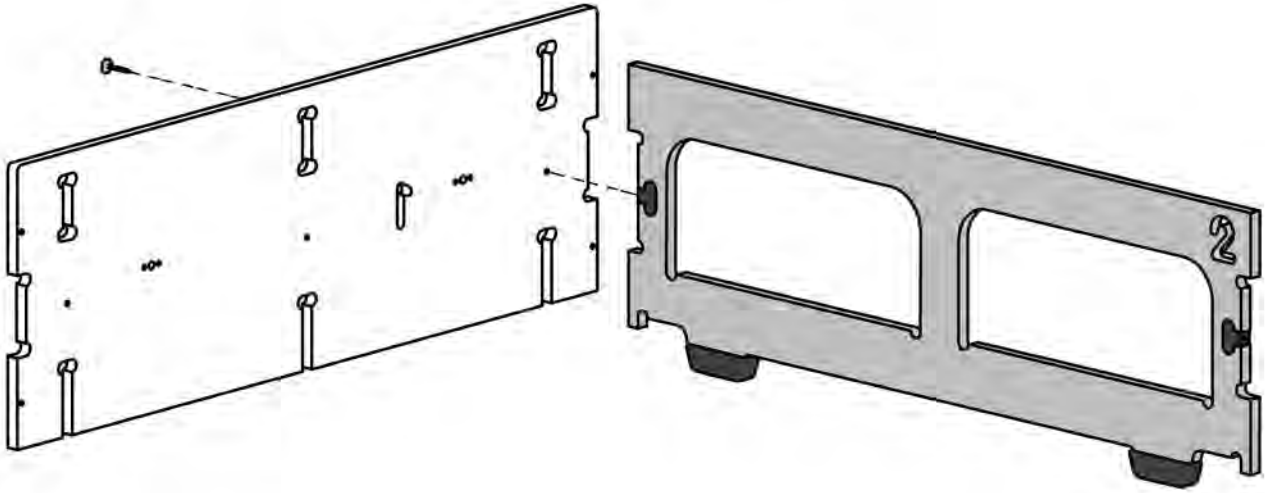


2

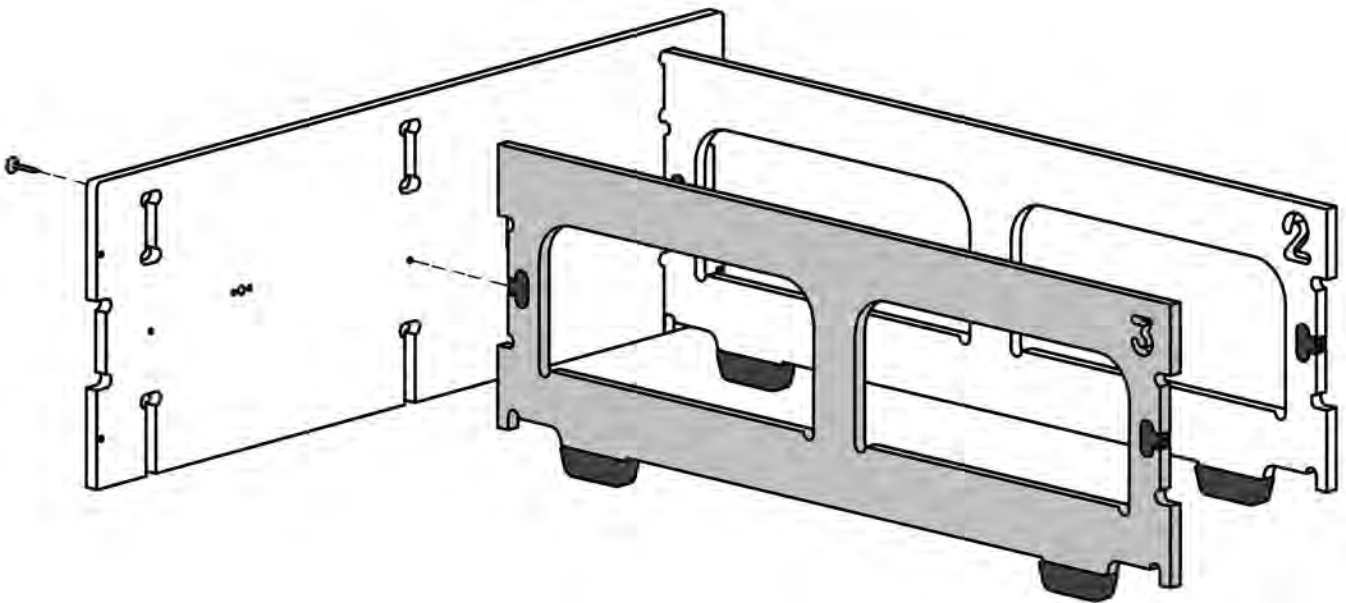
Attach black floor glides to the parts shown.



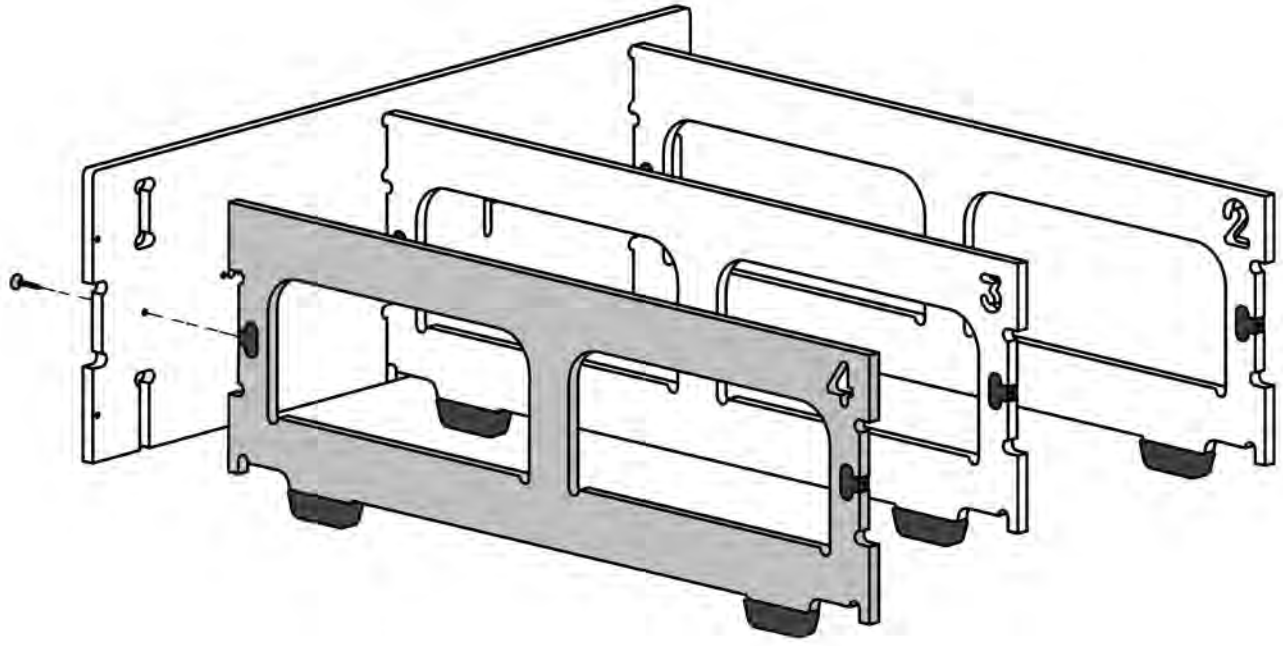
- 3** Slide part 2 into the slots on part 1 and secure with a screw.



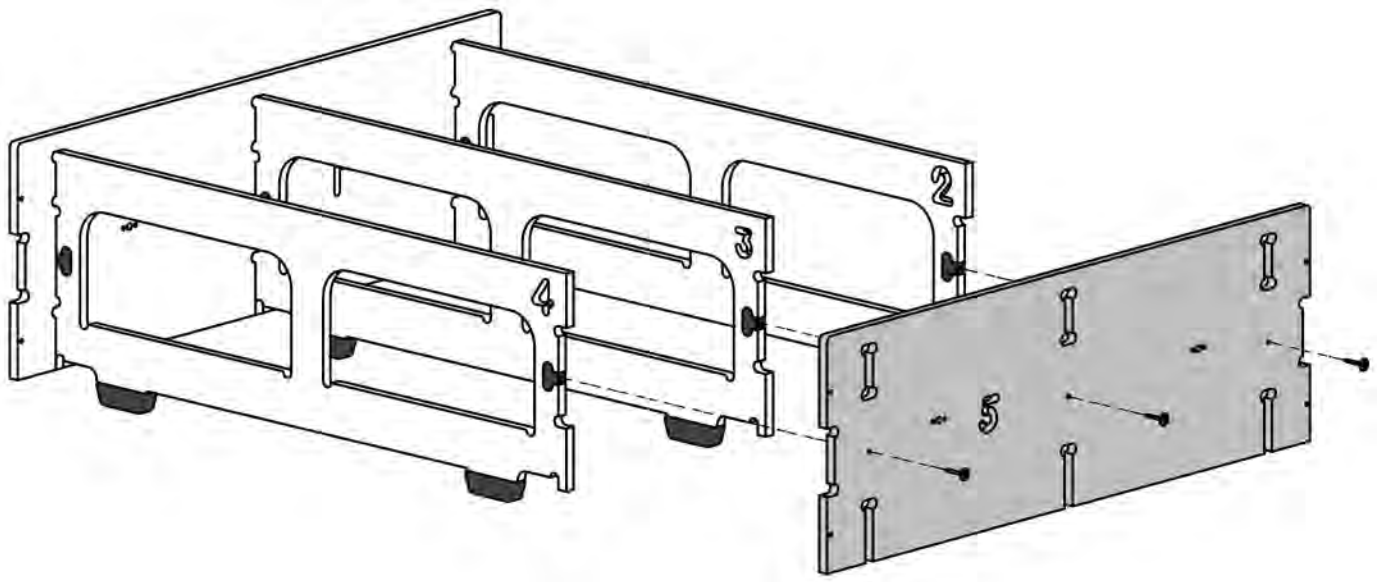
- 4** Slide part 3 into the slots on part 1 and secure with a screw.



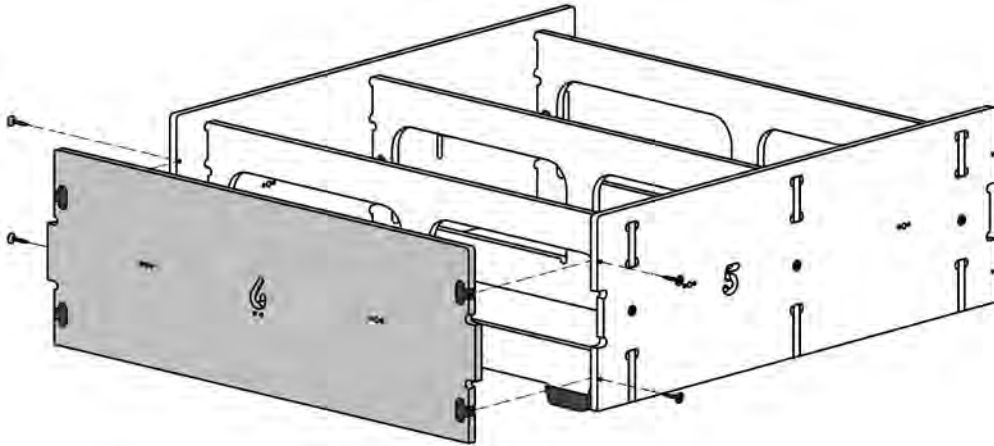
5 Slide part 4 onto part 1 and secure with a screw.



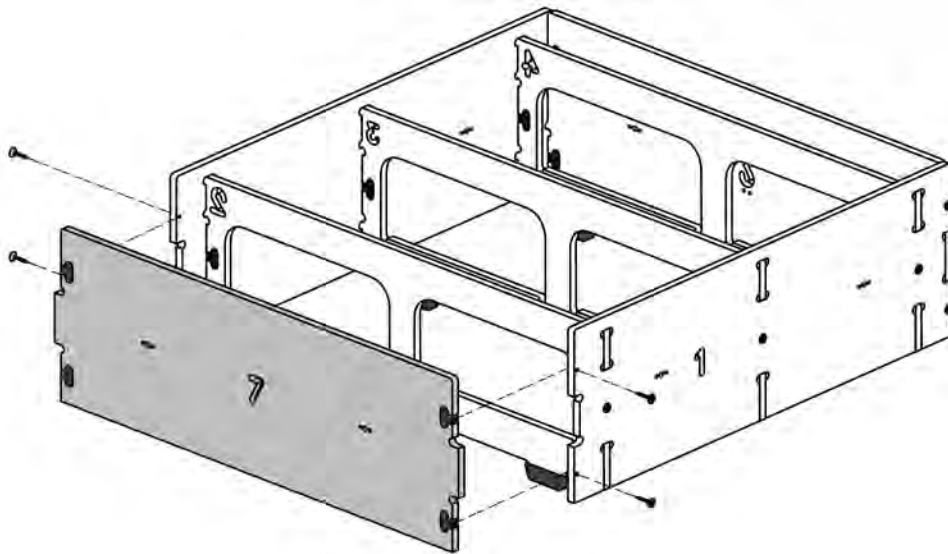
6 Slide part 5 onto part 2, 3 and 4 then secure with three screws.



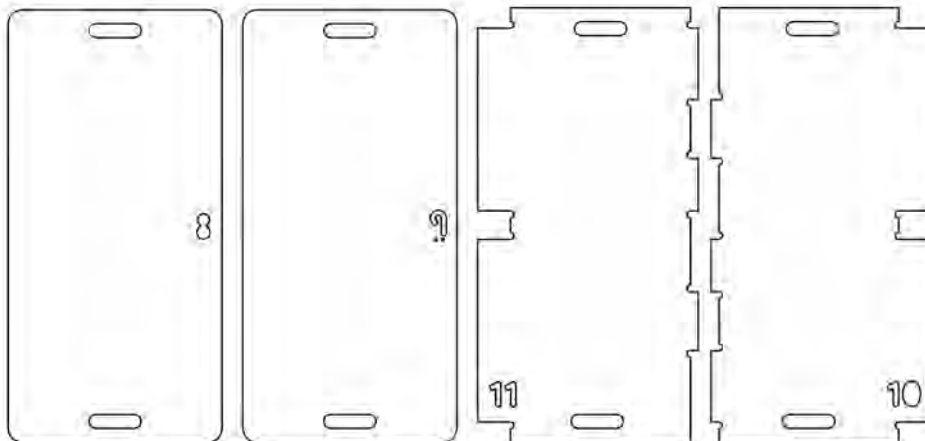
7 Slide part 6 onto part 1 and 5 then secure with four screws.



8 Slide part 7 onto part 1 and 5 then secure with four screws.



This completes the frame assembly.
Parts 8, 9, 10 & 11 will be used later during fabric & foam assembly.



Fabric & Foam Assembly

1

The cushion cover comes inside out. (It is the way it is sewn and protects the cover surface in shipping.) Unfold it in the manner shown below. You can trim off any of the loose hanging threads, it won't affect the strength of the seams. They are left long during automatic trimming in the sewing process.

WATCH A VIDEO

You will find it helpful to watch a short video on how to apply the fabrics. Go to our web site, click on Customer Service, and then select "Beauty Tips Videos."



Start by pulling the cover apart at the zipper knob and then open the zipper.



With the zipper open you will see two flaps.



Reach into the bottom area (under the 2 flaps) to unfold the cover.



When you have it all unfolded, set the cover aside.

2



Lay the white silky material on the ground. Place the foam on top of it.



Fold the silky material all the way up and around the foam until the foam is completely covered. The silky material will help the foam slide into the cover.



Get the cushion cover, fold the foam over in half and slide it all the way into the cover.



Then reach a hand way up inside the cover to work the foam into position on the corners and get the fabric all straightened out.



Zip up the cover.

3

Slide wood part 8 and wood part 9 into the pockets in the cushion cover, and set it aside.



4

The following sequence will show you how to cover the frame with the remaining cover piece.



Identify the bottom edge of the cover. The tan flaps are attached to the top.



Now find one of the seams.



Align this seam with the corner made by wood parts 1 & 7. Slide it down about one inch over the frame.



Go around the frame and slide the cover about one inch over the other three corners.



Now that you have the cover started onto all four corners of the frame, you can begin to work it down into position by...



...holding the top of the cover high and pulling the cover down. Work each corner alternately so that no one corner gets too far ahead of the other.



Continue until the cover overhangs the frame equally on both top and bottom.



Position the tan flaps inside the frame and flip the frame over.



Now that the frame is upside down, work your way around the frame pulling up the tan flaps, smoothing out the cover...



...and aligning and securing the Velcro.



Push the cover at the four corners down into the frame.



Once the Velcro is secured, you can flip the frame back onto its feet.

5



Take wood pieces 10 and 11 and place them down inside the ottoman. These pieces are the bottom of the storage compartment. Set the ottoman aside.

6

The arm cover will fit snugly in the following sequence. The trick is to work the cover down the frame very gradually—inch by inch, as shown in the photos below—making equal progress on both sides as you go.

Be sure to visit the beauty tips video page [www.homerreserve.com/BeautyTips.cfm]. You can see a demonstration of this process, and other tricks that will keep your furniture looking beautiful.



Position the arm foam onto the arm frame.



The bottom of the foam is recessed in order to fit onto the arm frame.



Take the arm cover...



...and place it over the foam and frame.



Align the seams with the edges of the wood arm frame and pull the cover down an inch or two onto the frame...



Then position the cover and seams over the other end of the arm frame and work it down slightly...



Now that you have the cover positioned onto the frame at both sides, you can begin to work the cover all the way down...



...aligning the cover seams with the edge of the frame and pulling each side alternately so that neither side gets too far ahead of the other.



Once the arm cover is in place, smooth and straighten the fabric.

6



Flip the arm over to access the velcro attachments.



Starting with the flap in the middle, draw the sides of the arm taut by pulling up on the fabric, folding the flaps over...



...and securing the velcro together...



...follow the same procedure for the flaps at both ends of the arm...



...complete the final step on the ends by folding over the front flap and securing the velcro.



Once the arm cover is in place, smooth the fabric. Reposition the velcro flaps on the bottom of the arm, if necessary, to take out any wrinkles.

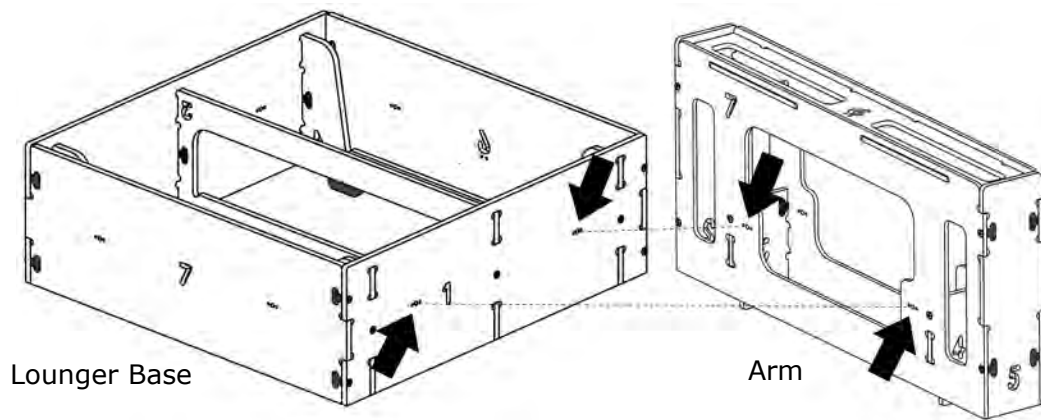
Attaching the Arm

There will be two connector bolts included in the parts bag.

There are holes for the connector bolts on the sides of the base and arm unit as indicated by the arrows in the diagram below.



Connector Bolt



7



In order to get a connector bolt through the fabric wrapping...



...place a small slit in the fabric where the bolt will protrude through the wood.



Repeat for the inside flap.

8



Place lounge base on its side and do the same with the arm. Notice the holes in the arm fabric.....



...they go up against the frame, make sure the corners are aligned.



Place the upper connector bolt in the hole provided.



The two prongs on the connector bolt go into the two small holes. This keeps the bolt from turning.



The arm is moved away from the frame in this photo so that you can see how the connector bolt protrudes through the circular hole cut in the fabric.



Reach over the frame...



...to place the washer and wing-nut on the bolt..



Place the lower connector bolt into position in the same way and tighten both wingnuts.



Place the Lounger upright.



Take the cushion assembly and position wood part 8 and 9 (which are inside the pocket)...



...into the frame along the back edge of the ottoman and lower the lid onto the lounger.

9

Find the Back Cushion Covers and the dacron filled Back Cushions and follow the sequence below.



Push the filler into the cover. You can reach way up in there to fill out the corners.



Zip up the cover.



You can knead the cushion on the floor to straighten and smooth it out.



You can further straighten and smooth the back cushion by striking it on the floor with several good whoops.



This is also the way you can "fluff" the cushion in the future.



Place the back cushion on the frame.



Congratulations, assembly is complete.

Connecting the Lounger to Another Unit

You will have two connector bolts remaining. These may be used to connect the lounger to another lounger or sectional unit. Here are 4 examples (possible layouts are not limited to these examples).



Your lounger can be connected from any side by following these steps.



In order to get a connector bolt through the fabric wrapping...



...place a small slit in the fabric where the bolt will protrude through the wood.



Repeat for the inside flap.



Use the connector bolts to secure the lounger to another unit.



REMEMBER

You can snip off any hanging threads from the covers. They are left long during automatic trimming in the sewing process. Snipping them won't affect the strength of the seams.

Blank

Blank

