

End panel

assembly instructions



An end panel is used as part of a sectional. If you have an Armless frame at the end of your layout, this end panel will be put in place to close up the side of the sectional.



Smooth & Wrinkle-Free Fabric Covers:

In addition to these printed instructions, you may want to watch our beauty tips videos on the customer service page of our website. The videos show demonstrations on how to apply the fabric covers and make them smooth and wrinkle free.



Renewability: Individual foam and fabric parts are available. You no longer have to worry that something will happen and you'll just have to live with it. From pet attacks to paint spills, it's easy to recover from a furniture accident.

CUSHIONS

Foam: The seat cushions will feel firm at first. That's intentional, since firmer foam lasts longer. You can shorten the break-in period by putting the cushions on the floor and walking on them for a few minutes.



Fabric Exchange: To use our 30-day fabric cover exchange program, contact us and we'll lead you through the process. Keep the covers out of actual use to preserve them in new, unused, and clean condition. Fold them neatly when repackaging to avoid wrinkles.

1

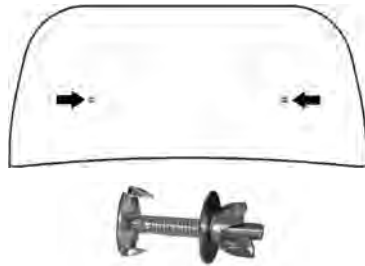


Place the cover over the end panel.



Arrange the cover so that the end panel is fully covered. It can be helpful to hold the cover as shown in the photo and shake the wood part down into position.

2



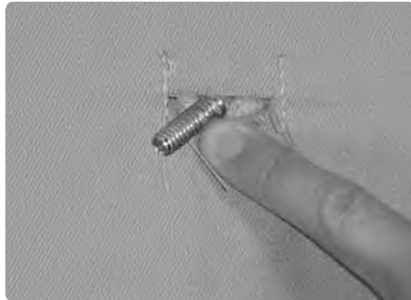
There are 2 holes in the wood which are now covered. It is through these holes you'll be placing the connector bolts in the following steps.



Reach inside the arm and insert the connector bolts into the holes.



The two prongs on the connector bolt go into the two small holes. This keeps the bolt from turning.

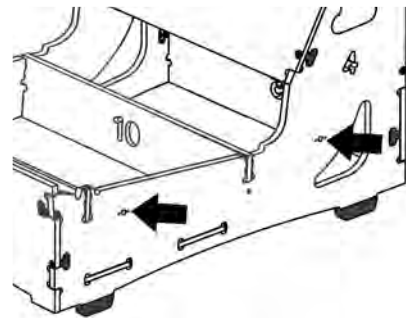


The connector bolt protrudes through the hole cut in the fabric.

3

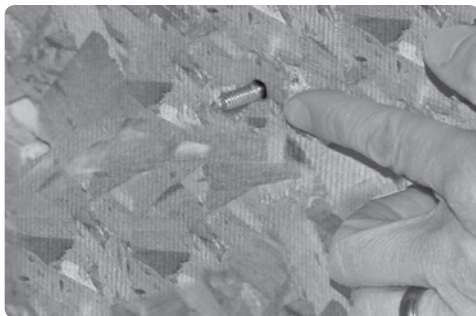


Take the seat cushion, back cushion and storage lid off of the frame.



Notice the two holes in the frame through which you'll be placing the connector bolts.

4



With the end panel pushed against the frame, continue to insert the connector bolt through the frame as shown.



Take the washer and wingnut and get them started onto the bolt. Don't tighten completely.



Follow the steps above at the front of the panel...



...and at the back of the panel. Then tighten the wingnuts

5



Once the arm panel is attached, place the storage lid...



...and cushions back onto the frame.

Installation Complete.

Home Reserve products are made in the USA under patents:

#6,267,446

#6,568,058

#6,981,747

#7,044,557

#7,523,989

