



# Monroe sectional left

*assembly instructions*





**Smooth & Wrinkle-Free Fabric Covers:**

In addition to these printed instructions, you may want to watch our beauty tips videos on the customer service page of our website. The videos show demonstrations on how to apply the fabric covers and make them smooth and wrinkle free.



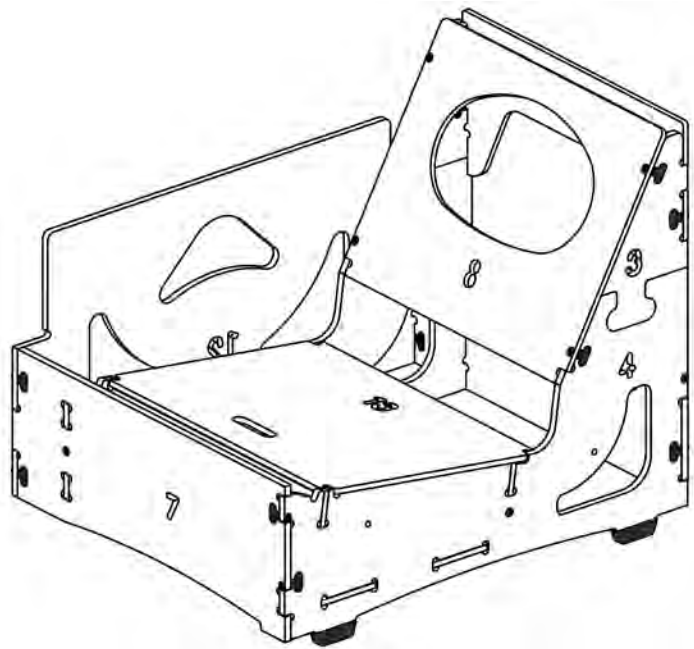
**Renewability:** Individual foam and fabric parts are available. You no longer have to worry that something will happen and you'll just have to live with it. From pet attacks to paint spills, it's easy to recover from a furniture accident.

# CUSHIONS

**Foam:** The seat cushions will feel firm at first. That's intentional, since firmer foam lasts longer. You can shorten the break-in period by putting the cushions on the floor and walking on them for a few minutes.



**Fabric Exchange:** To use our 30-day fabric cover exchange program, contact us and we'll lead you through the process. Keep the covers out of actual use to preserve them in new, unused, and clean condition. Fold them neatly when repackaging to avoid wrinkles.



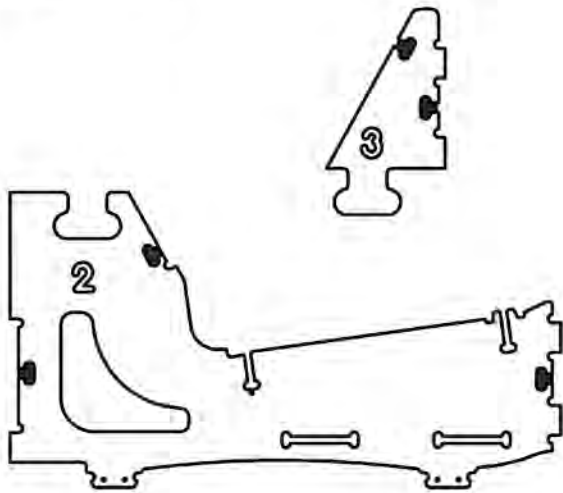
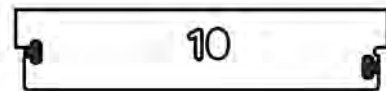
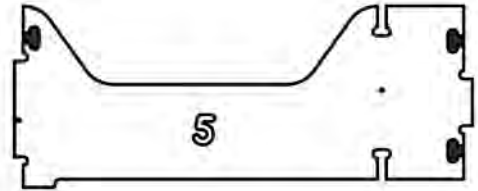
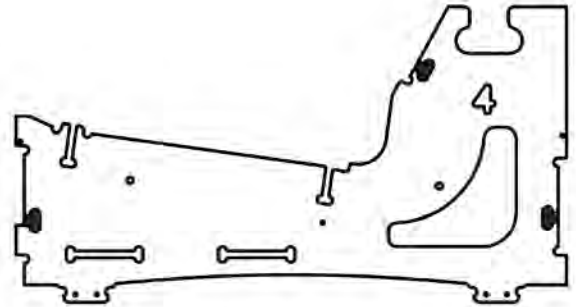
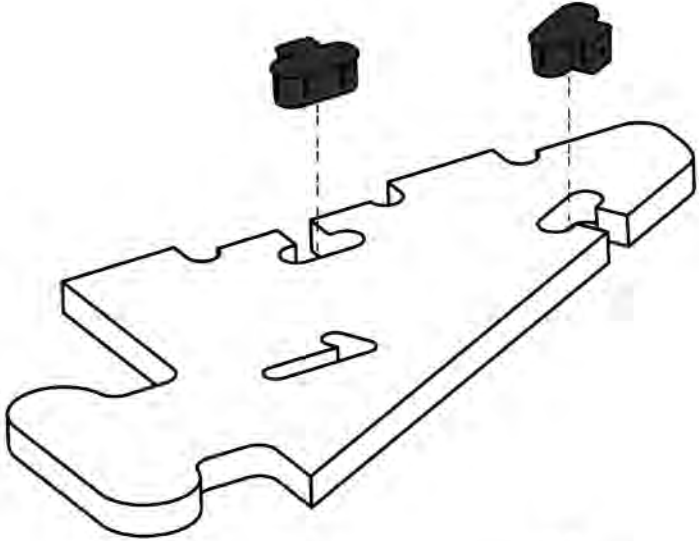
Tools: Phillips screwdriver or powered drill with a Phillips screwdriver bit.

A sanding pad is included if you wish to smooth over any of the surfaces or edges after the frame is assembled. It is not necessary to sand any of the frame parts during assembly. No glue will be used. Your furniture will be ready for use immediately.

# Frame Assembly

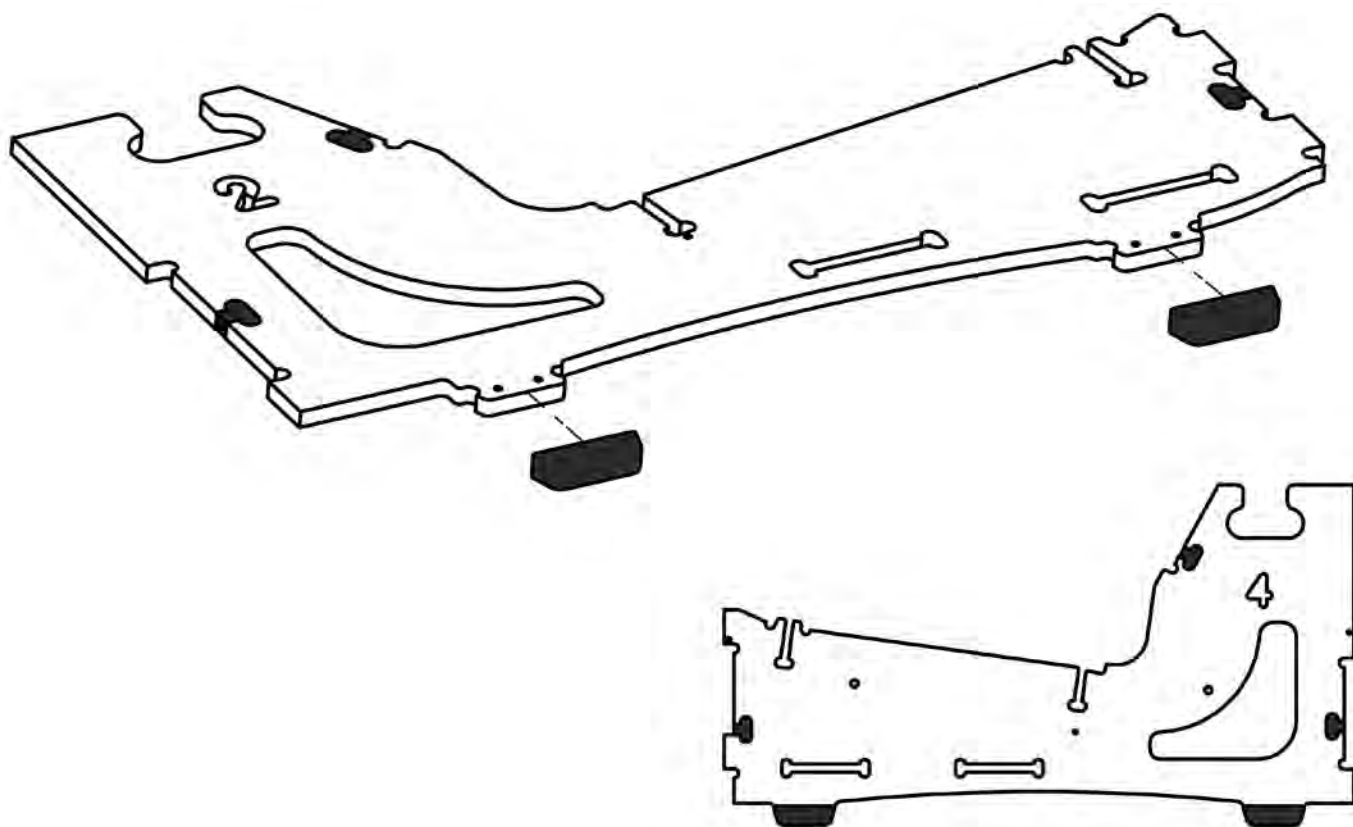
Open the box and set aside the foam and fabrics for later. Then, take the wood parts out of the box. The parts are not packed in the order of assembly, so don't worry about mixing them. They are all numbered for easy reference.

- 1 Open the parts bag and insert the black plastic T-connectors into the parts shown. Throughout these instructions it is okay to use a hammer to tap the T-connectors and wood parts into position.



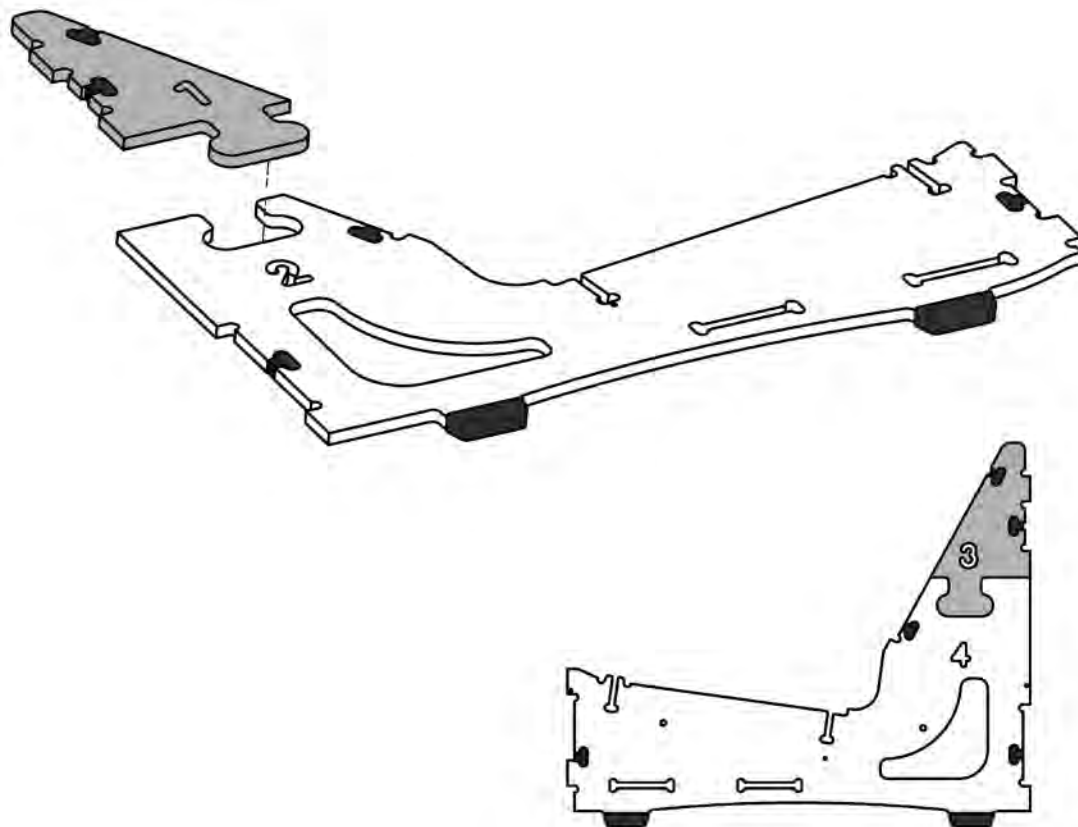
**2**

Attach black floor glides to the parts shown.

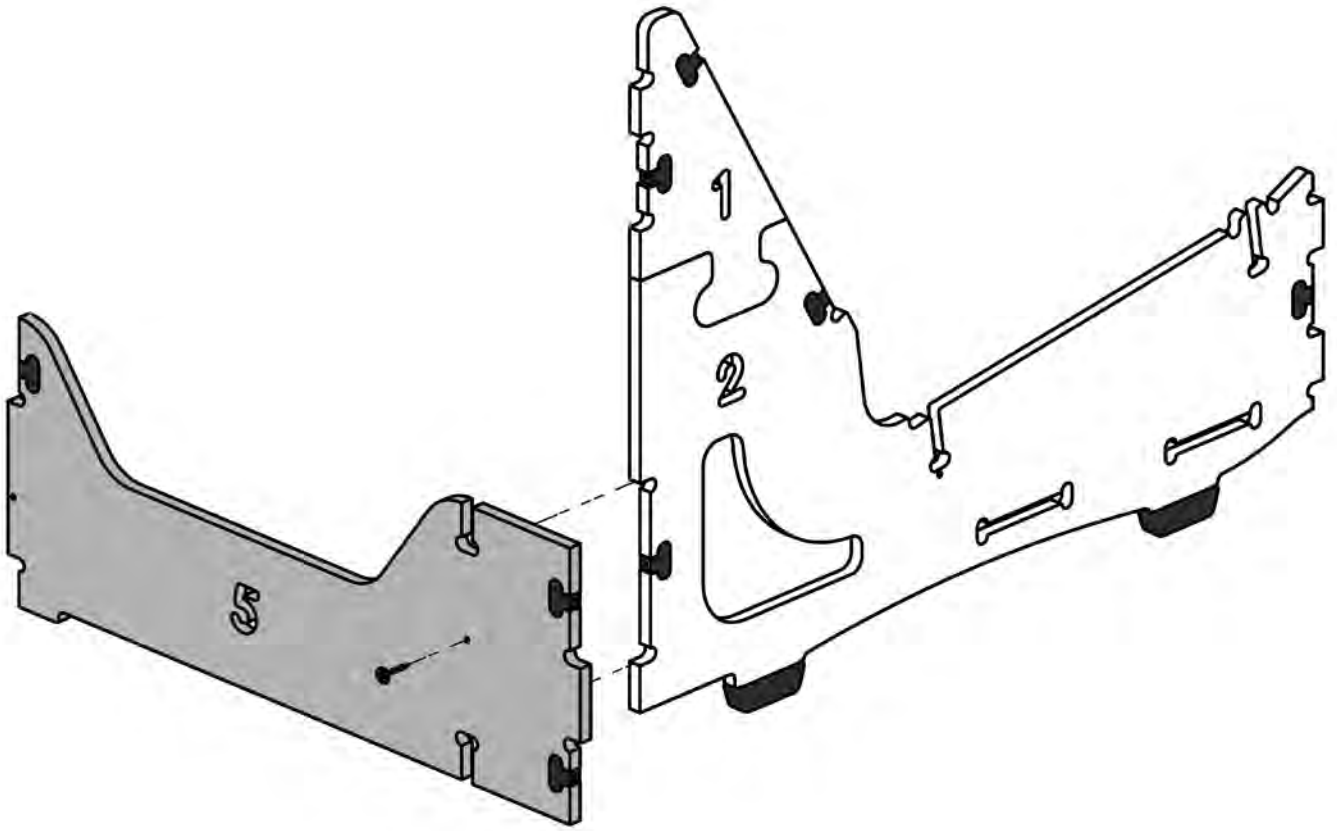


**3**

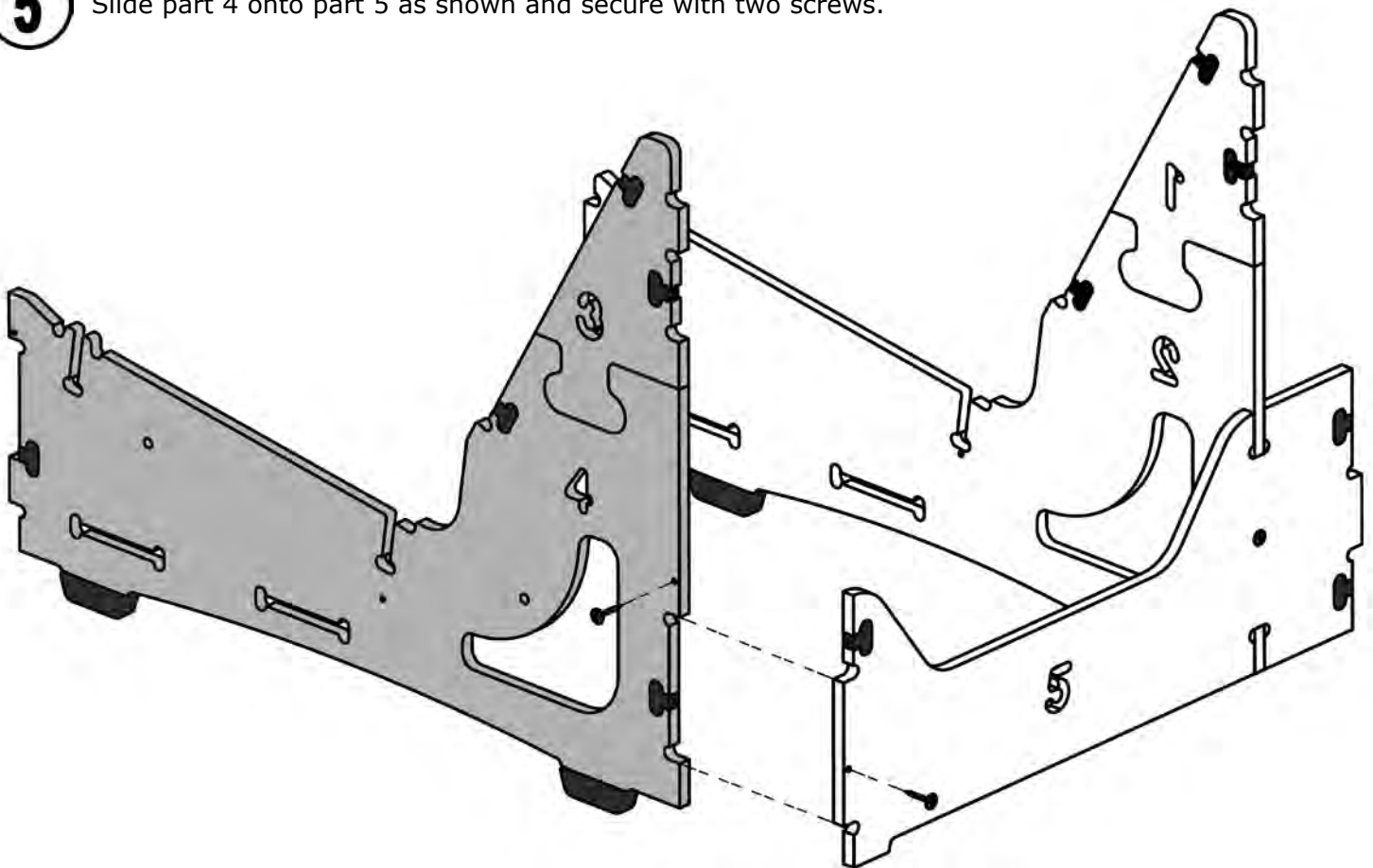
Connect parts 1 and 2 together. Repeat for parts 3 and 4.



**4** Slide part 5 onto part 2 and secure with a screw.

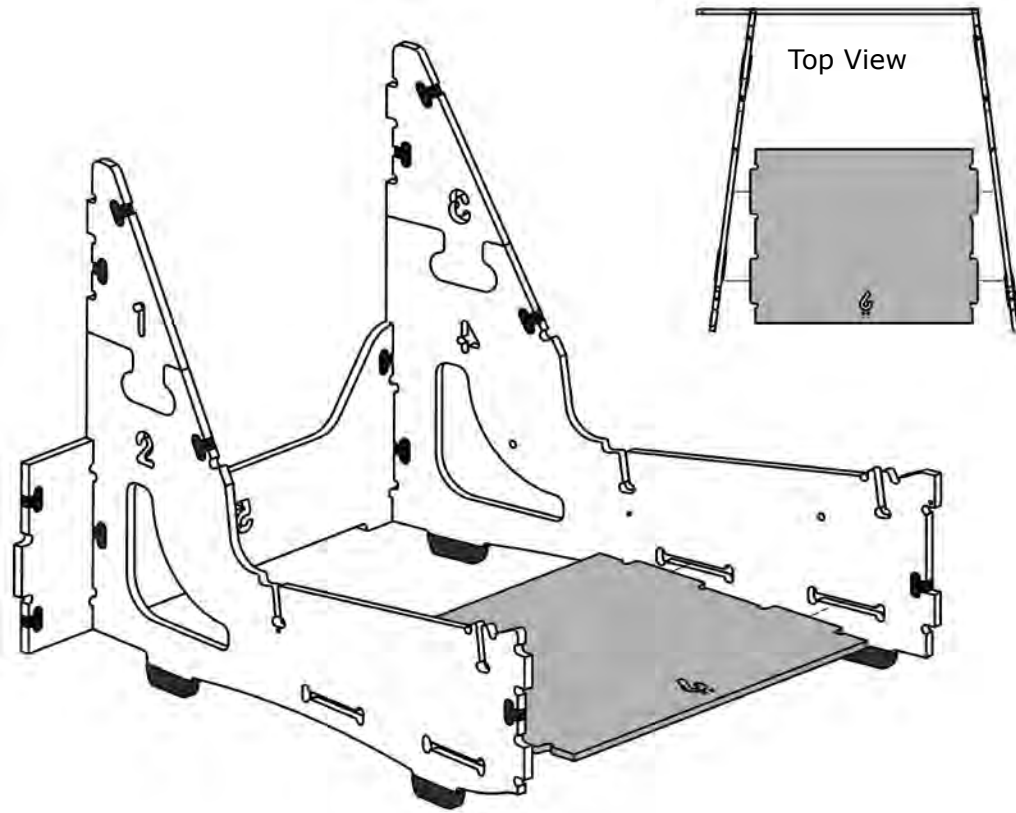


**5** Slide part 4 onto part 5 as shown and secure with two screws.



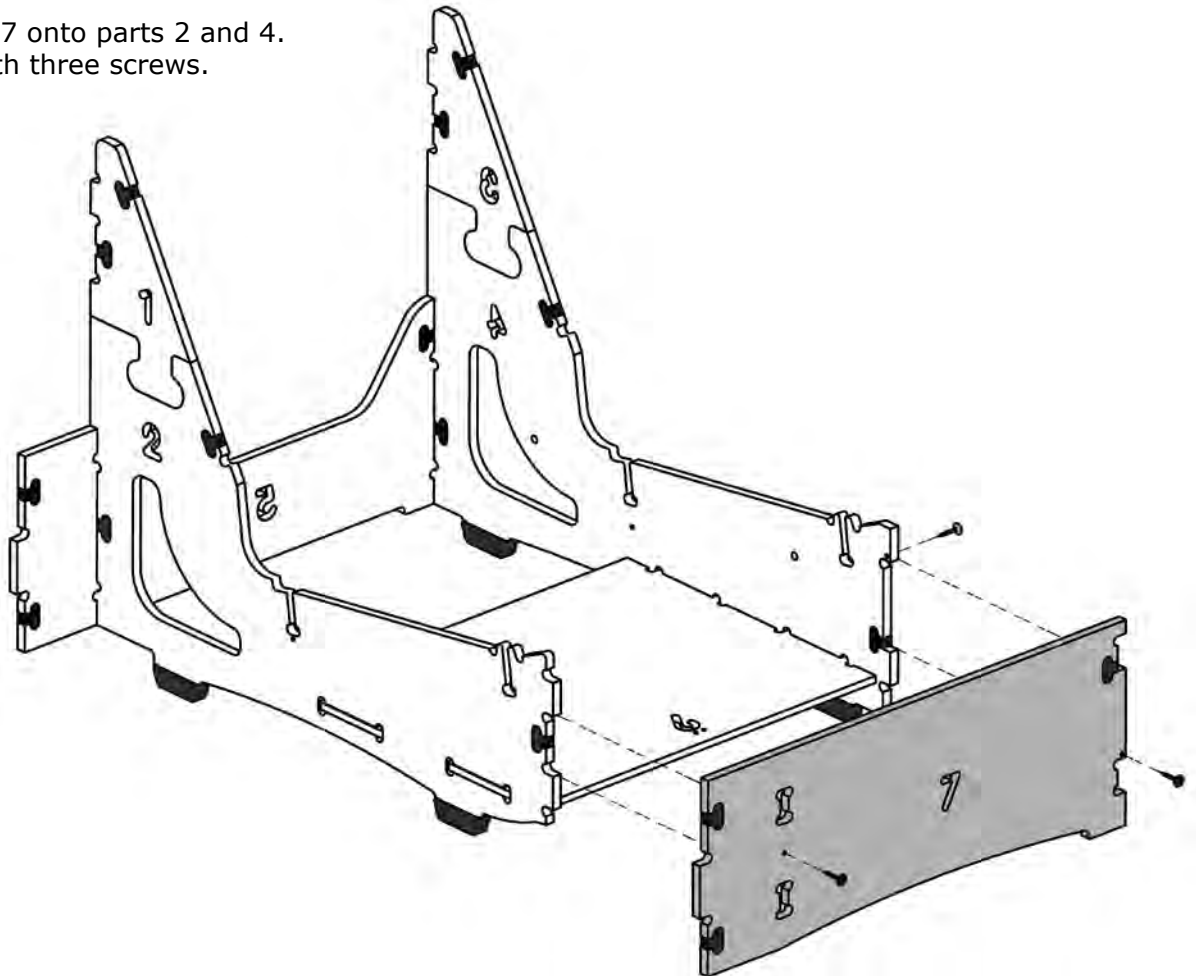
6

Spread parts 2 and 4 apart enough to slide part 6 into the slots on 2 and 4.



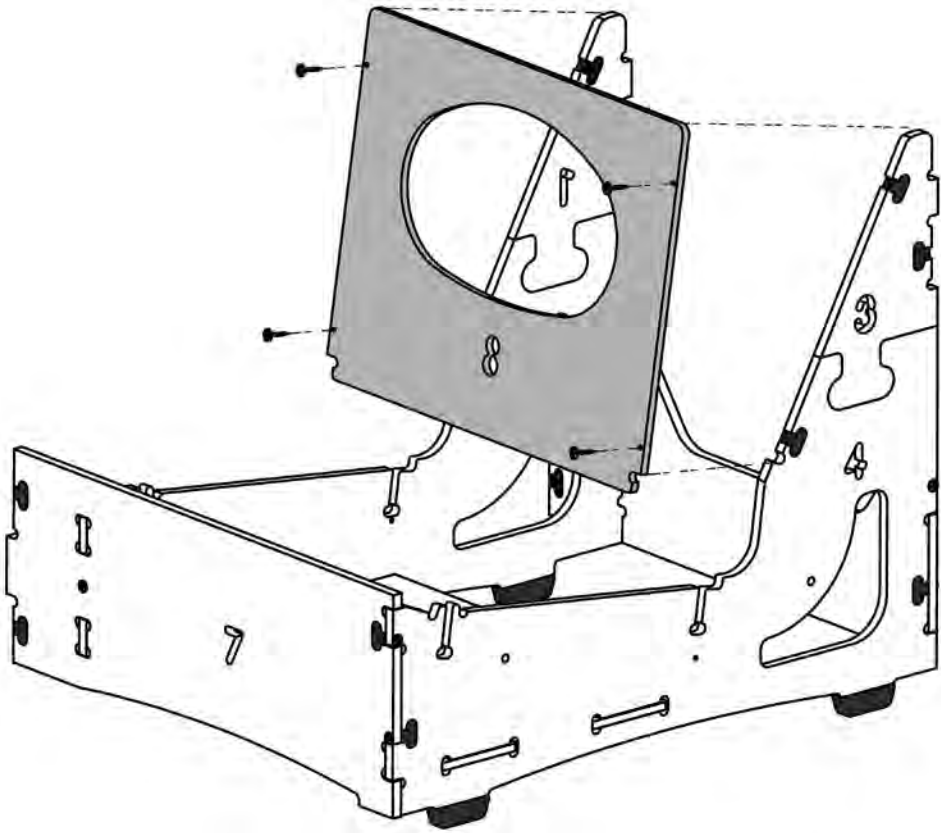
7

Slide part 7 onto parts 2 and 4. Secure with three screws.



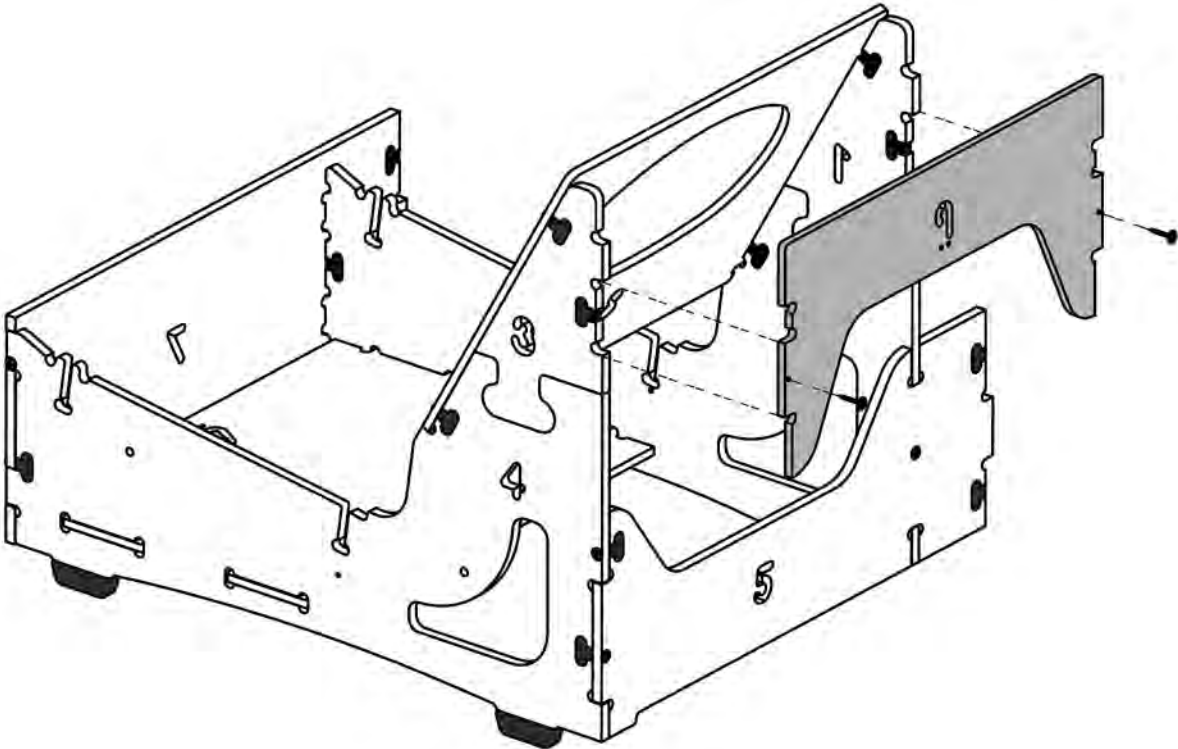
8

Move part 8 into position on parts 1,2,3, and 4, then secure with four screws.

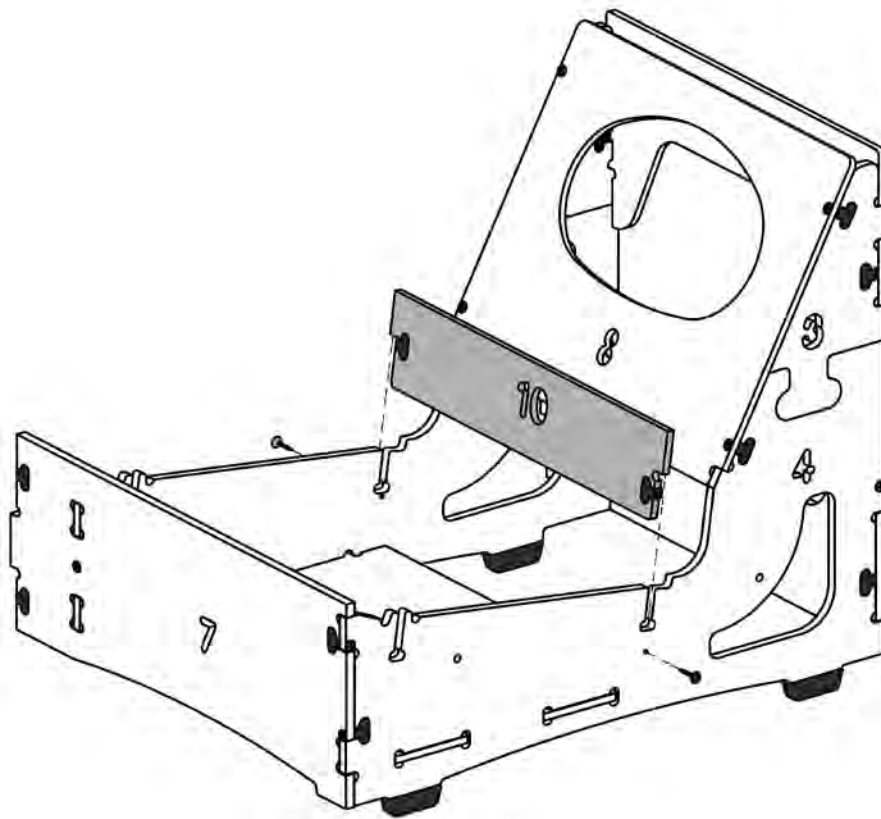


9

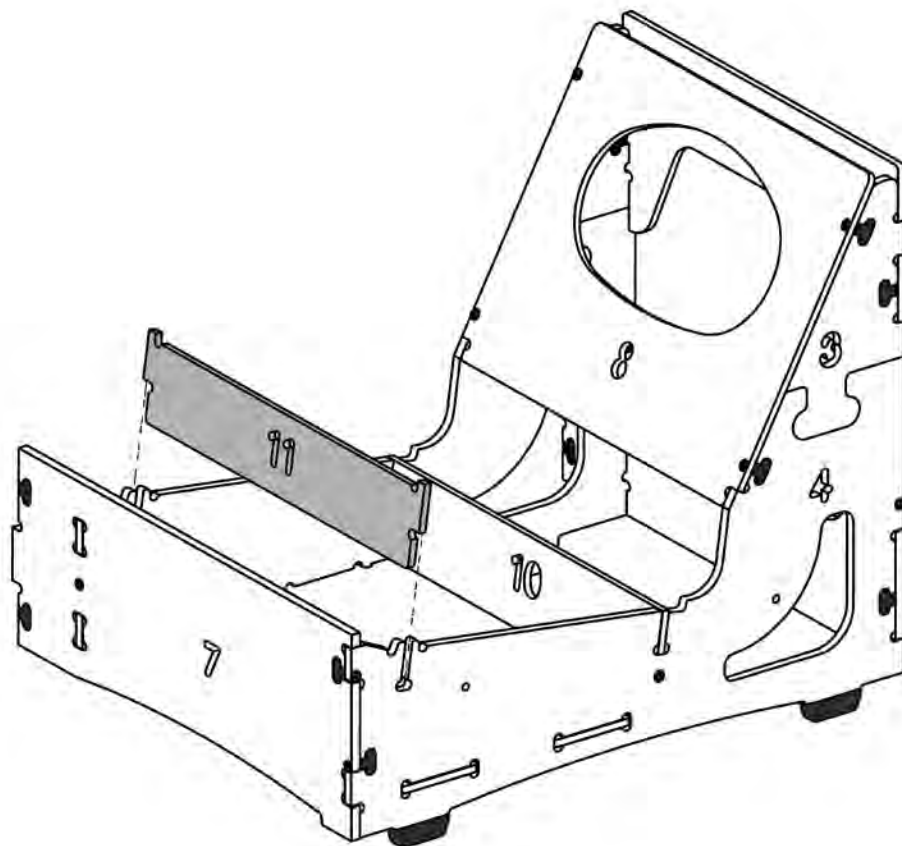
Place part 9 onto parts 1,2,3, and 4, then secure with two screws.



**10** Place part 10 into the back slots of parts 2 and 4 and secure with two screws.

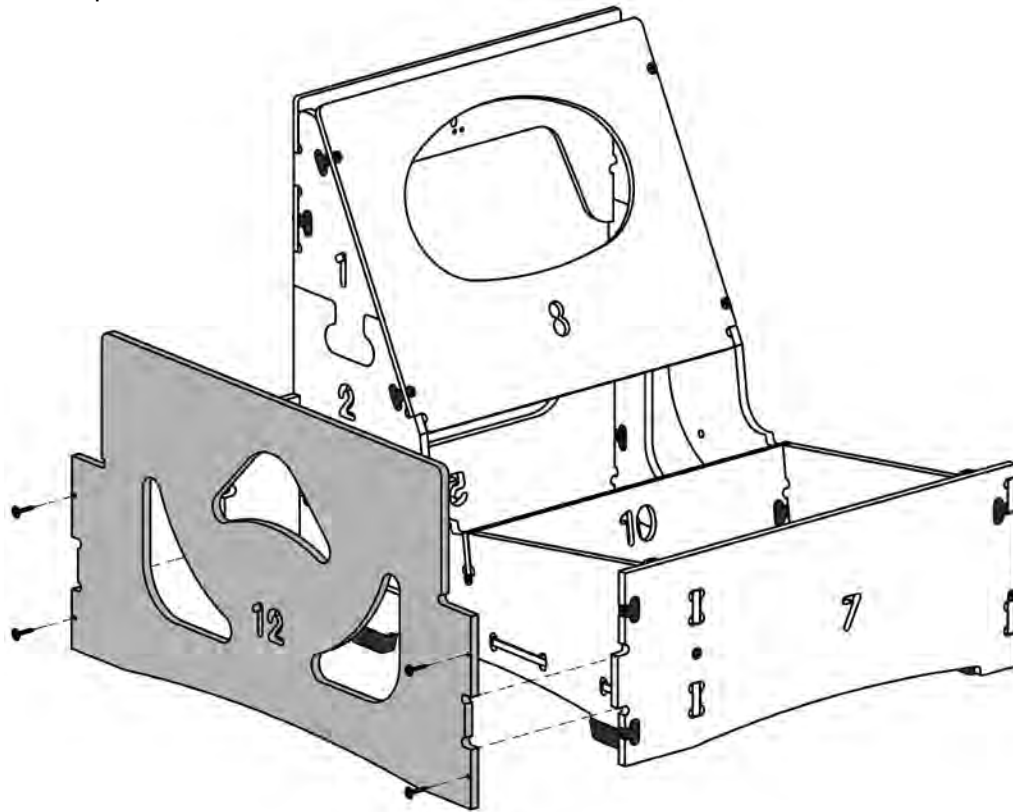


**11** Slide part 11 into the front slots of parts 2 and 4.



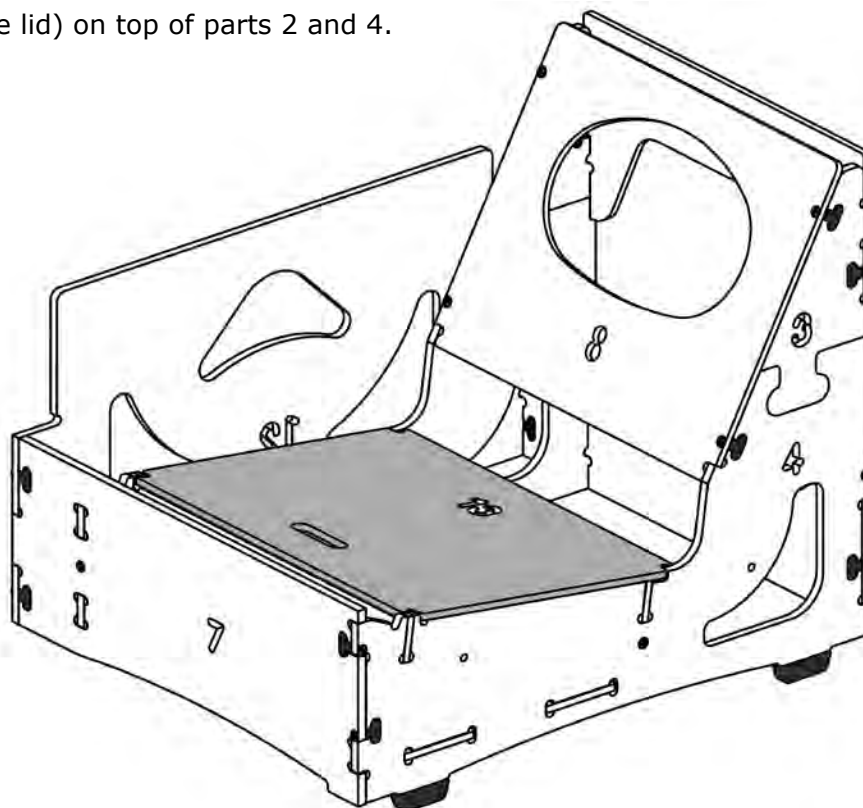
**12**

Place part 12 onto parts 5 and 7 and secure with 4 screws.



**13**

Place part 13 (the lid) on top of parts 2 and 4.



This completes the assembly of your left end frame. You will have wood piece 14 remaining. It will be used later during fabric assembly.



# Fabric & Foam Assembly

Most of the fabric covers come inside out (it is the way they are sewn and protects the fabric surface in shipping). Unfold them all in preparation for assembly. To unfold a piece with a zipper, just pull the zipper apart as shown on the right.



You can snip off any hanging threads from the covers. They are left long during automatic trimming in the sewing process. Snipping them won't affect the strength of the seams.

Beauty tips: In addition to these printed instructions, you may want to watch our beauty tips videos on the customer service page of the website. The videos show demonstrations on how to apply the fabric covers and make them smooth and wrinkle free.

## Fabrics



Arm Cover (1)



Seat Cushion Cover (1)



Back Cushion Cover (1)



Frame Back Cover (1)



Arm Panel Cover (1)



Frame Front Cover (1)



Elite Fabric (1)

## Foam



Seat Cushion (1)



Top Rail Piece (1)



Back Cushion (1)

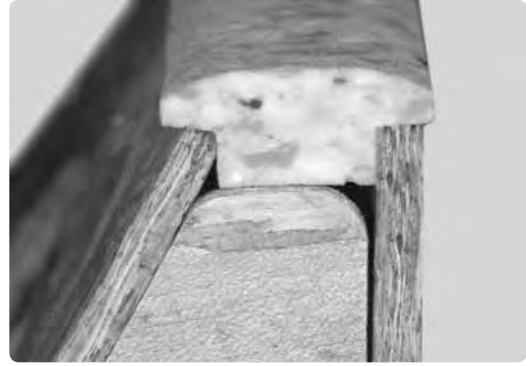


Arm Foam (1)

1



Take the Top Rail and place it on top of the frame.



Push it down into position between the front and back wood pieces.

2



Locate wood piece 14. Take the Frame Front Cover and slide piece 14 into the sleeve (use sanding block if wood doesn't slide smoothly).



Once piece 14 is in place inside the sleeve, place the cover on the front of the frame to form the front edge. Wrap the cover around the top corner...



... and pull the fabric down and tuck it around the bottom corner.



The velcro at the other side of the cover is not attached to anything at this time.

**3**

Take the Arm Panel Cover and slide it over part 12. Be sure the top part of the cover is unfolded. If it isn't, the cover will hang on the wrong side of part 12.



**4**

Take the Frame Back Cover (the largest fabric piece) and place it over the back of the frame. Pull it down and tuck the bottom corner under the frame as shown.



**5**

Now you can fasten the velcro closures at the front and back of the frame.

**Front**



**Back**



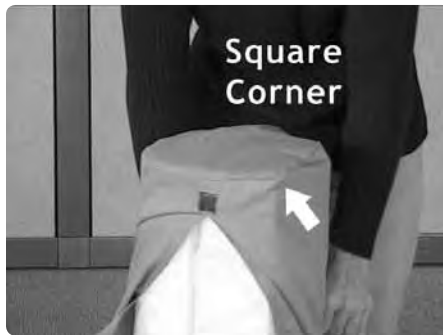
**6** Cover the Arm Foam with the piece of Elite Fabric. The elite is a white silky material that will help the Arm Cover slide over the foam. Wrap the foam smoothly and stuff the excess elite into the slot as shown. Make sure all of the foam is covered, or the fabric will not slide smoothly into position in step 7.



**7** Take the Arm Cover and the elite-covered Arm Foam and follow the sequence below.



Find the square corner of the arm cover and the square corner of the arm foam.



Put the cover over the end of the foam, aligning the square corners.



Then, turn the arm over and smash the foam down. Slip the foam inside the other end of the cover. It helps to stand in order to use your weight to smash the foam down.



When you release the smashed foam...



... it will spring into position inside the cover.



Make adjustments to get it all straightened.



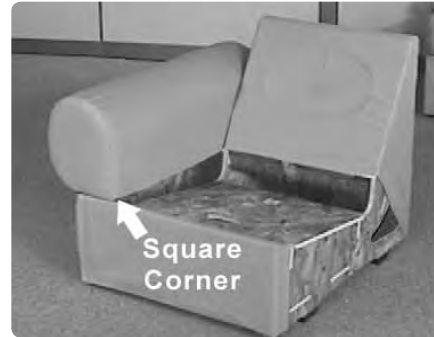
Velcro the two flaps together...



...and push them into the groove on the bottom of the arm.



Place the arm onto the frame and slide it down into position.



The square corner goes toward the inside. The frame goes up into the slot on the underside of the arm.

8

Find the Seat Cushion Cover and Seat Cushion Foam and follow the sequence below.



Match the rounded front edge of the Seat Cushion Foam with the rounded edge of the Seat Cushion Cover.



Position the cover over the foam and align the corners of the foam cushion with the corner seams of the cushion cover.



You can stick your hand inside to get everything smooth.



Working your way around the sides of the cushion, pull the corners of the cover onto the foam...



... and zip up the cover.



Place the seat cushion on the frame. The rounded edge of the cushion goes toward the front.

9

Find the Back Cushion Cover and the dacron-filled Back Cushion and follow the sequence below.



When filling the cover, match up the curved shape of the Back Cushion with the curved shape of the cover.



Push the filler into the cover. You can reach inside to fill out the corners.



Zip up the cover.



You can knead the cushion on the floor to straighten and smooth it.



You can further straighten and smooth the back cushion by striking it on the floor with several good whoops.



Change ends of the cushion and repeat.



This is also how to "fluff" the cushion in the future.



Place the back cushion on the frame.

10

Place the completed back cushion on the frame.



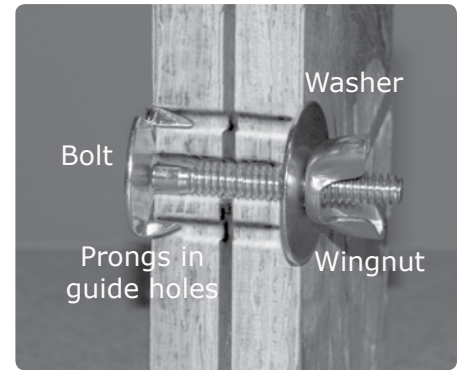
Congratulations, assembly is complete.

# Joining Your Sectional Group Together

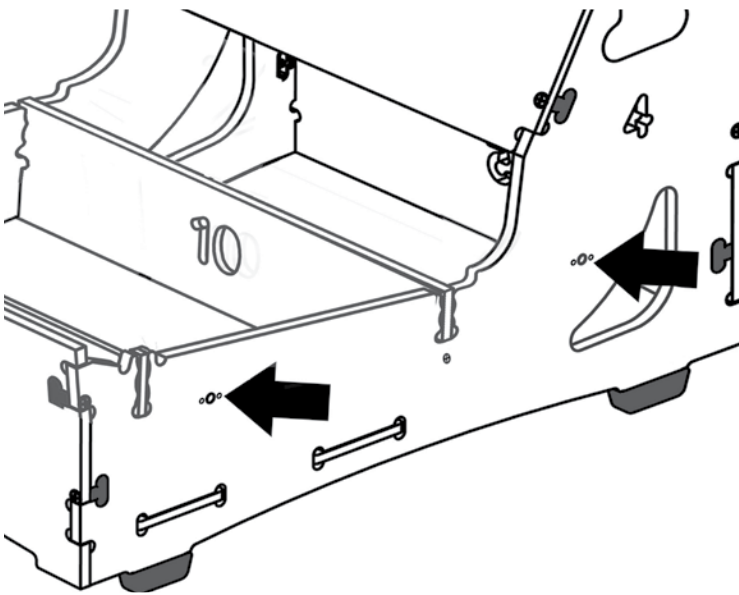
Once you have all the individual pieces of your sectional group assembled, arrange them in the room according to your design plan. Then, starting at one end of the sectional arrangement, follow these instructions to secure all the units tightly together.

The frames will be joined together with the connector bolts. See the diagram on the right.

There are holes for the connector bolts at the front and back of the frames as indicated by the arrows below. Remove the storage lids to access these holes. Align the frames and slide the connectors into the holes. Tighten the wingnuts to draw the frames together.



Connector Bolt



## SEAT DEPTH ADJUSTMENT

The furniture is designed to allow for seat depth adjustments. The normal setting for the cushions to protrude is 1½" out in front of the frame. Slide the seat cushion in or out to adjust to your own seat depth preference.



## REMEMBER

You can snip off any hanging threads from the covers. They are left long during automatic trimming in the sewing process. Snipping them won't affect the strength of the seams.

Blank

Blank

# HOME | RESERVE

Home Reserve products are  
made in the USA under patents:

#6,267,446

#6,568,058

#6,981,747

#7,044,557

#7,523,989

