



Brook sectional corner

assembly instructions





Smooth & Wrinkle-Free Fabric Covers:

In addition to these printed instructions, you may want to watch our beauty tips videos on the customer service page of our website. The videos show demonstrations on how to apply the fabric covers and make them smooth and wrinkle free.



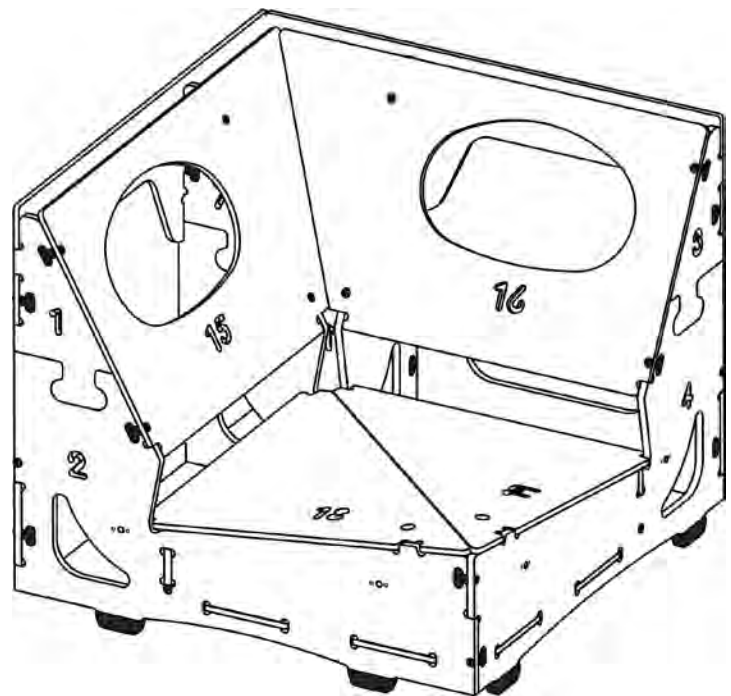
Renewability: Individual foam and fabric parts are available. You no longer have to worry that something will happen and you'll just have to live with it. From pet attacks to paint spills, it's easy to recover from a furniture accident.

CUSHIONS

Foam: The seat cushions will feel firm at first. That's intentional, since firmer foam lasts longer. You can shorten the break-in period by putting the cushions on the floor and walking on them for a few minutes.



Fabric Exchange: To use our 30-day fabric cover exchange program, contact us and we'll lead you through the process. Keep the covers out of actual use to preserve them in new, unused, and clean condition. Fold them neatly when repackaging to avoid wrinkles.



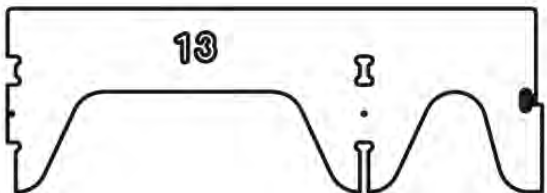
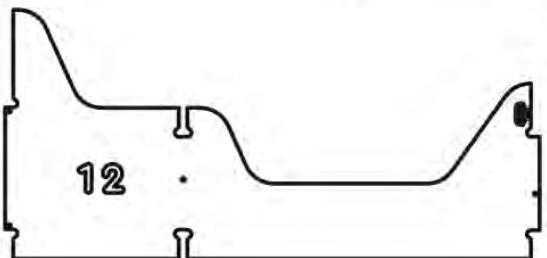
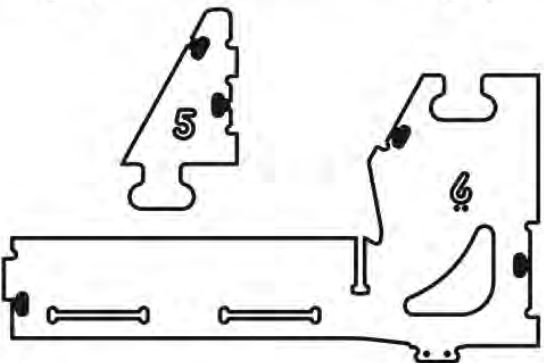
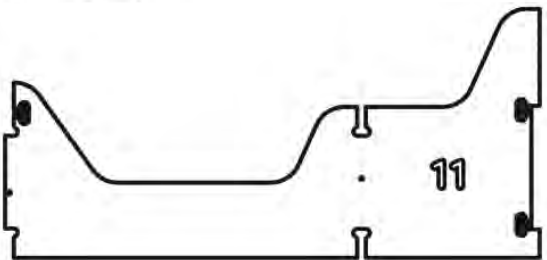
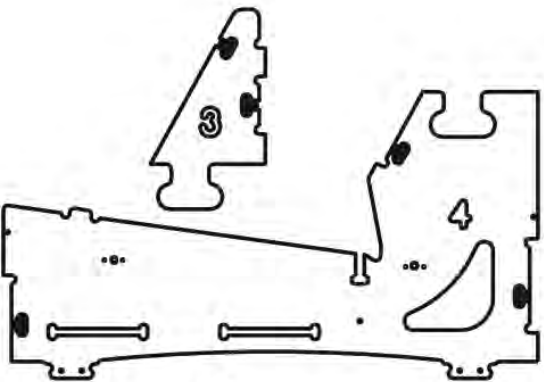
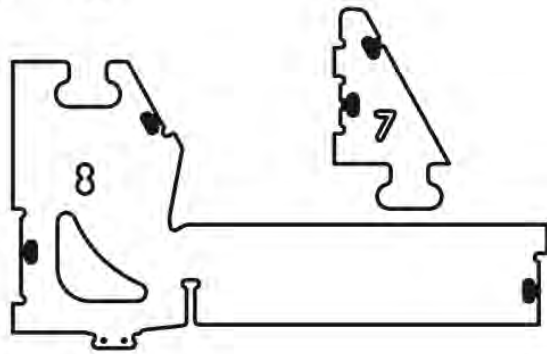
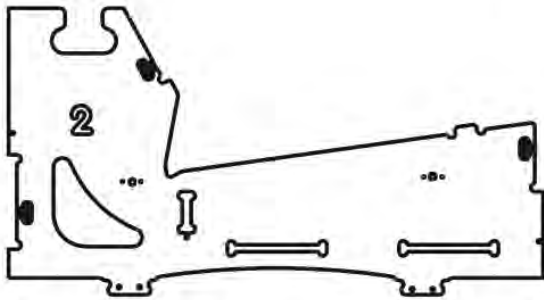
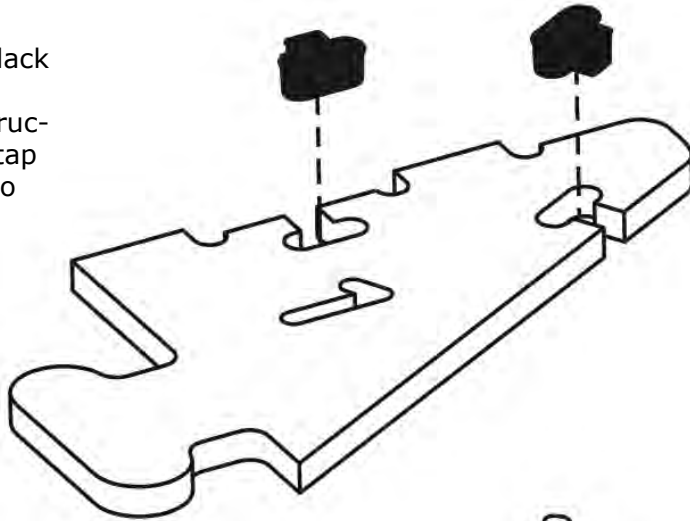
Tools needed: Phillips Screwdriver or powered drill with a Phillips screwdriver bit.

A sanding pad is included in case you wish to smooth over any of the surfaces or edges after the frame is assembled. It is not necessary to sand any of the frame parts during assembly. No glue will be used during assembly. Item will be ready for use immediately.

Frame Assembly

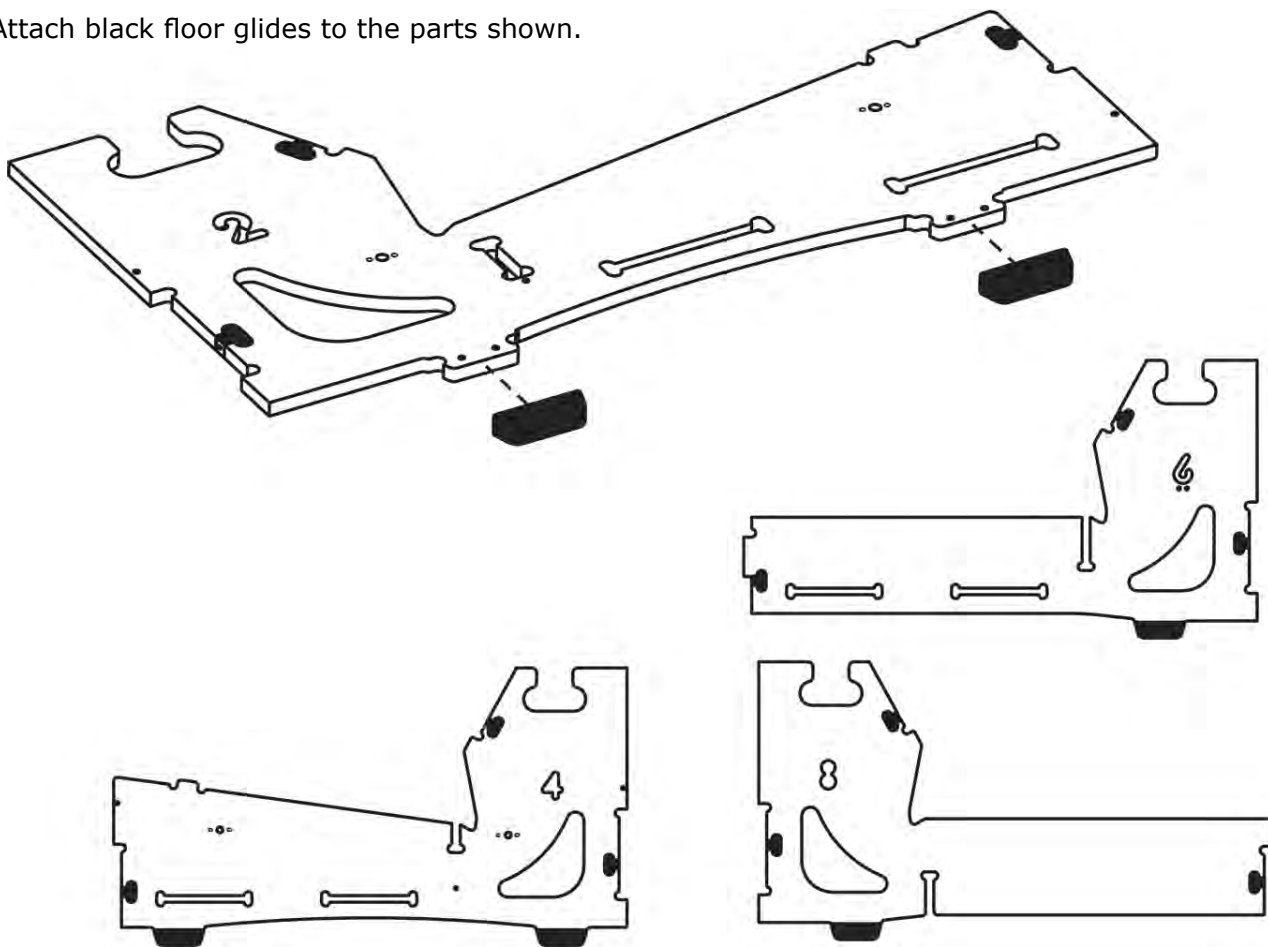
Open the box and set aside the foam and fabrics for later. Then take the wood parts out of the box. The parts are not packed in the order of assembly so don't worry about getting them mixed up. They are all numbered for easy reference.

- 1 Open the parts bag and insert the black plastic T connectors into the parts shown here. Through-out these instructions it is okay to use a hammer to tap the T-connectors and wood parts into position.



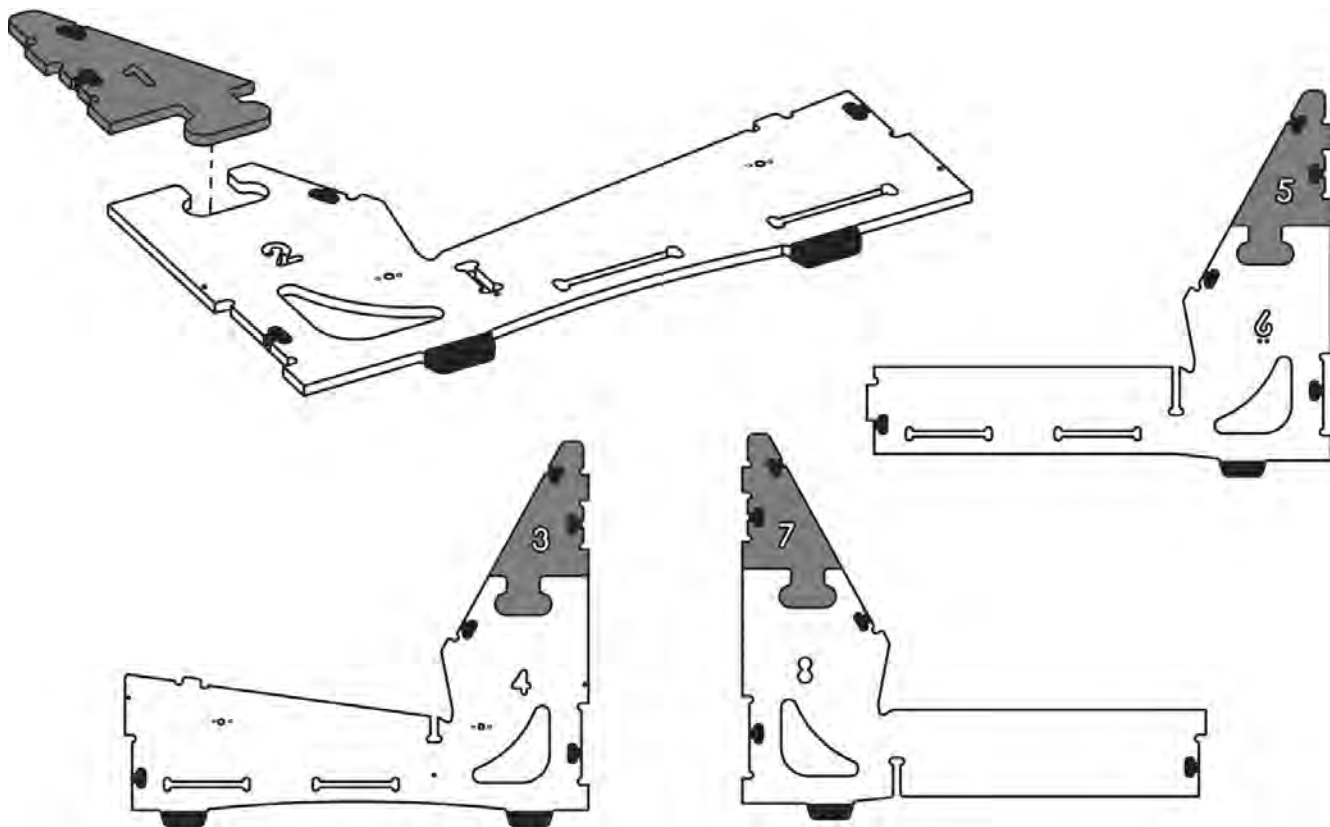
2

Attach black floor glides to the parts shown.

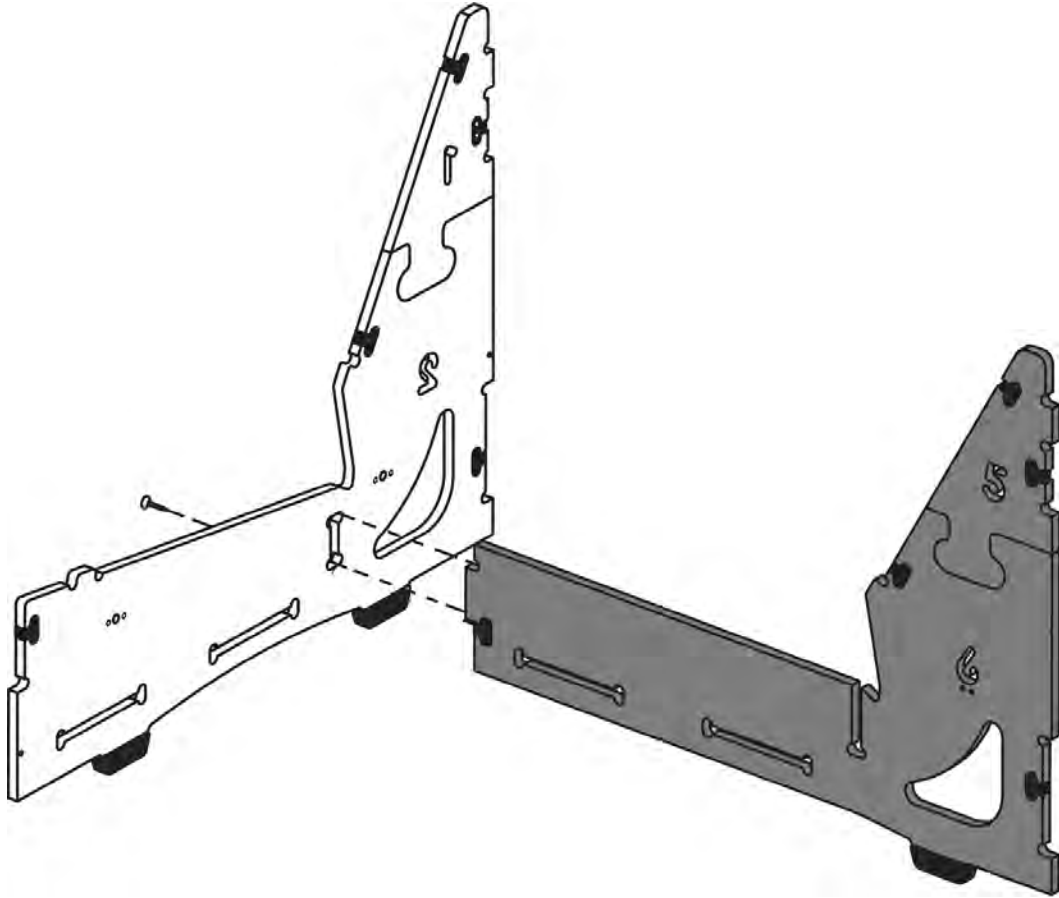


3

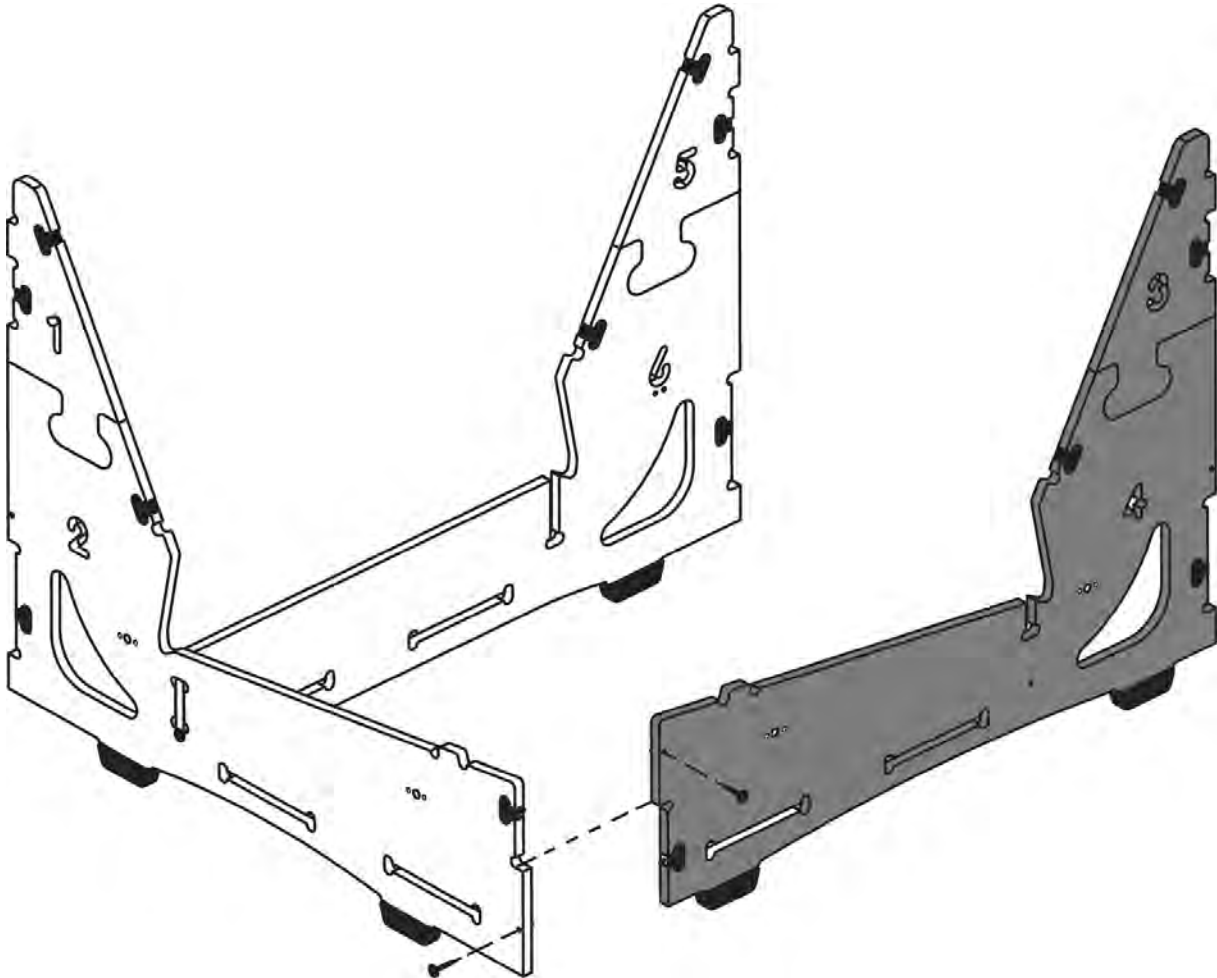
Connect parts 1 and 2 together. Repeat for parts 3 and 4, 5 and 6, 7 and 8.



4 Slide part 6 into part 2 and secure with a screw.



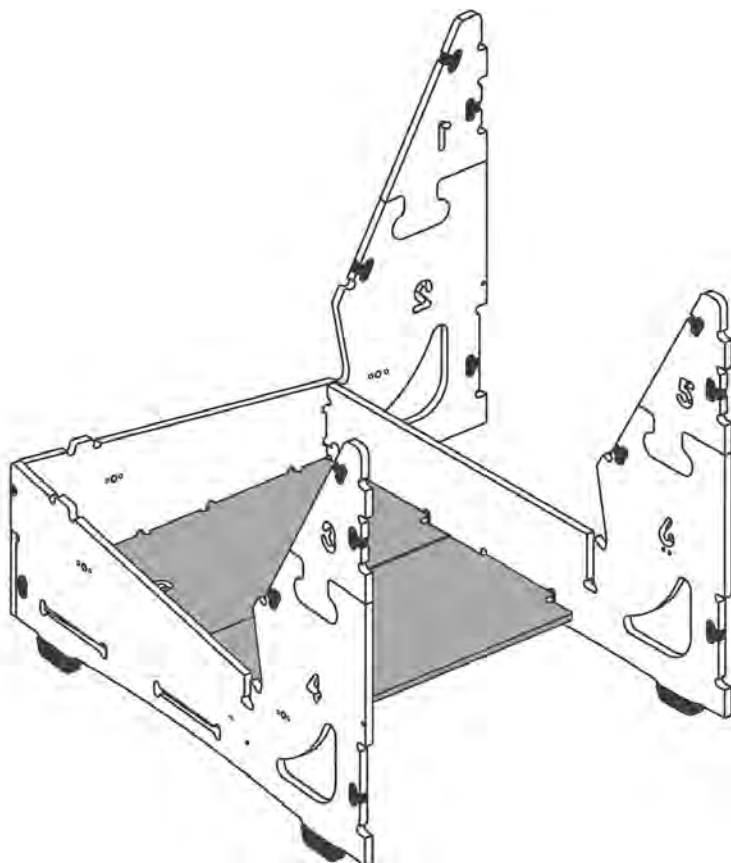
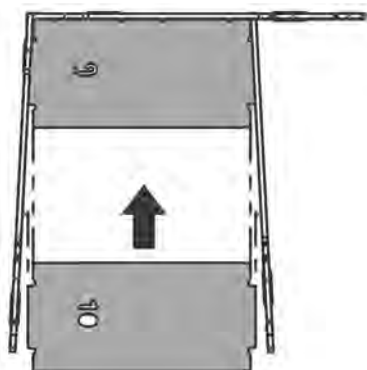
5 Place part 4 onto part 2 and secure with two screws.



6

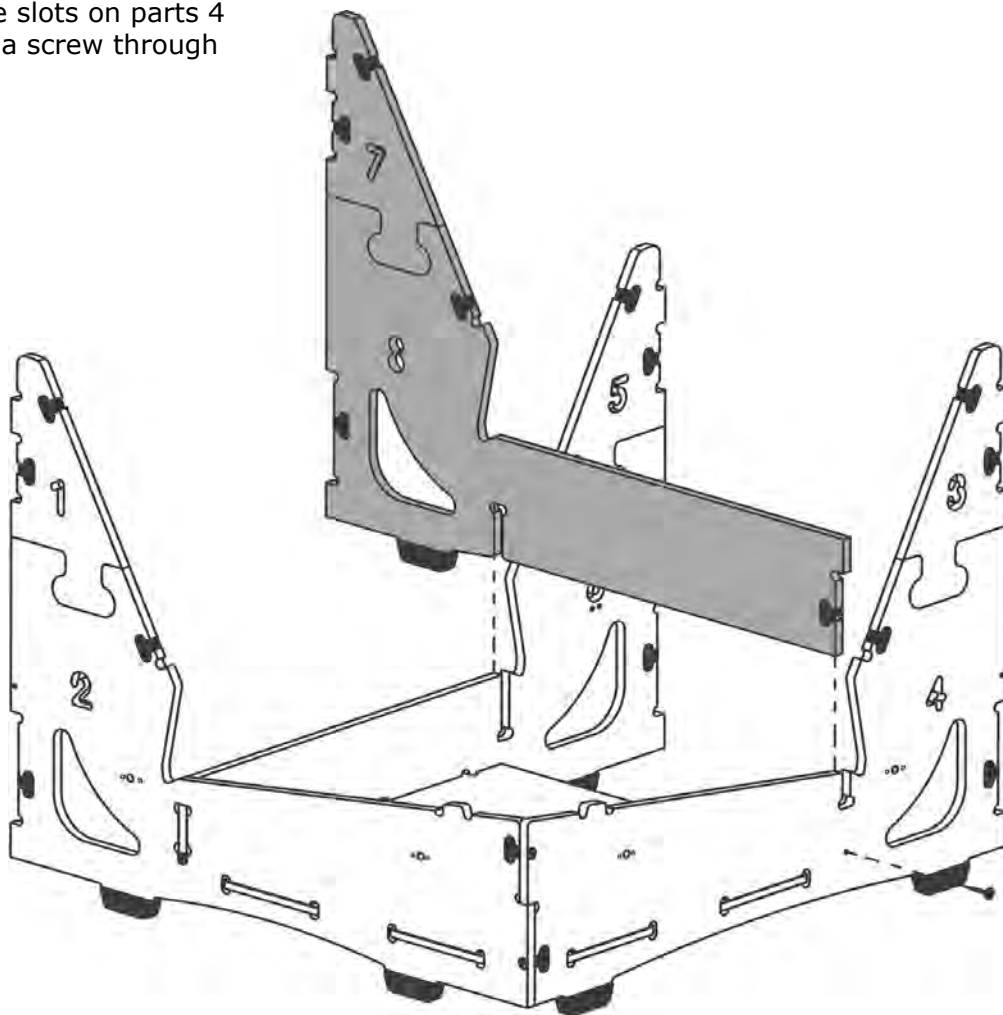
Spread parts 4 and 6 apart far enough to slide part 9 into the slots on 2, 4 and 6. Slide Part 10 into the slots on parts 4 and 6.

Top View



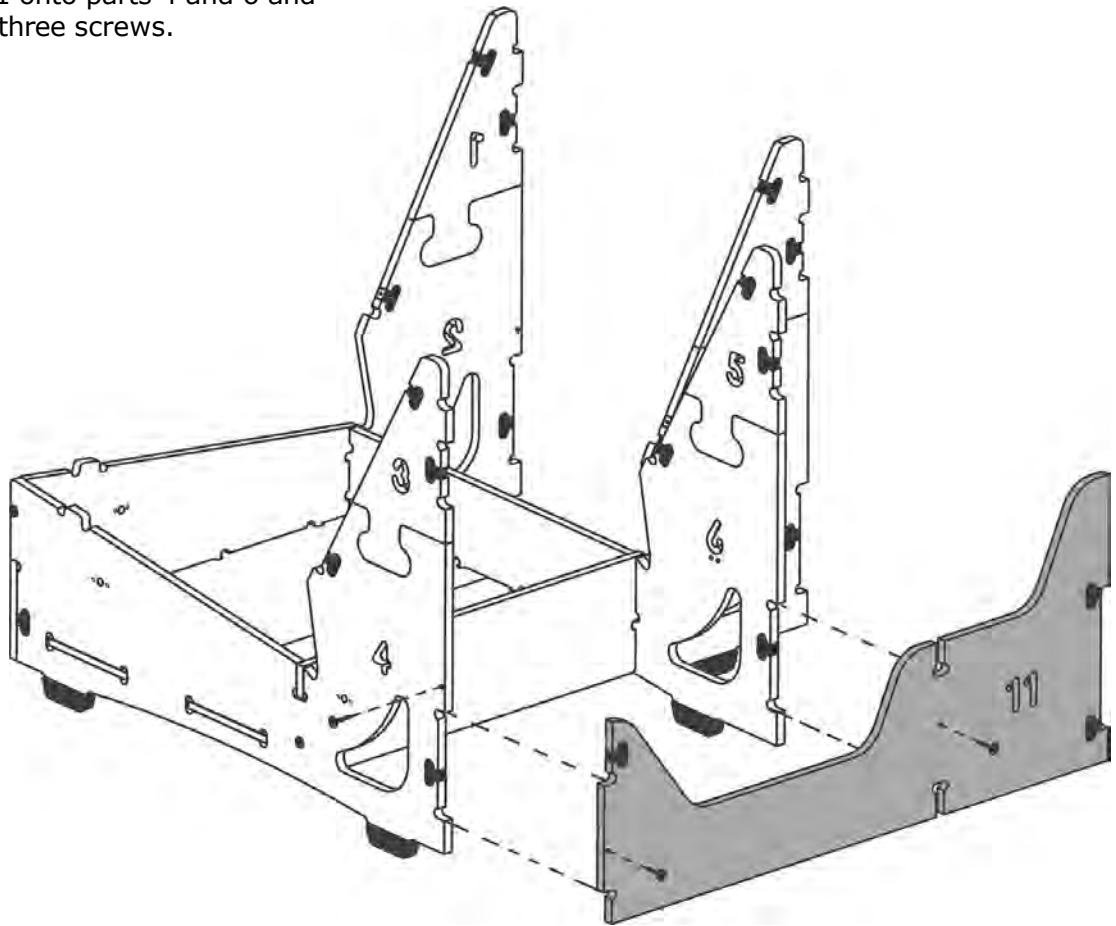
7

Slide part 8 into the slots on parts 4 and 6. Secure with a screw through part 4.



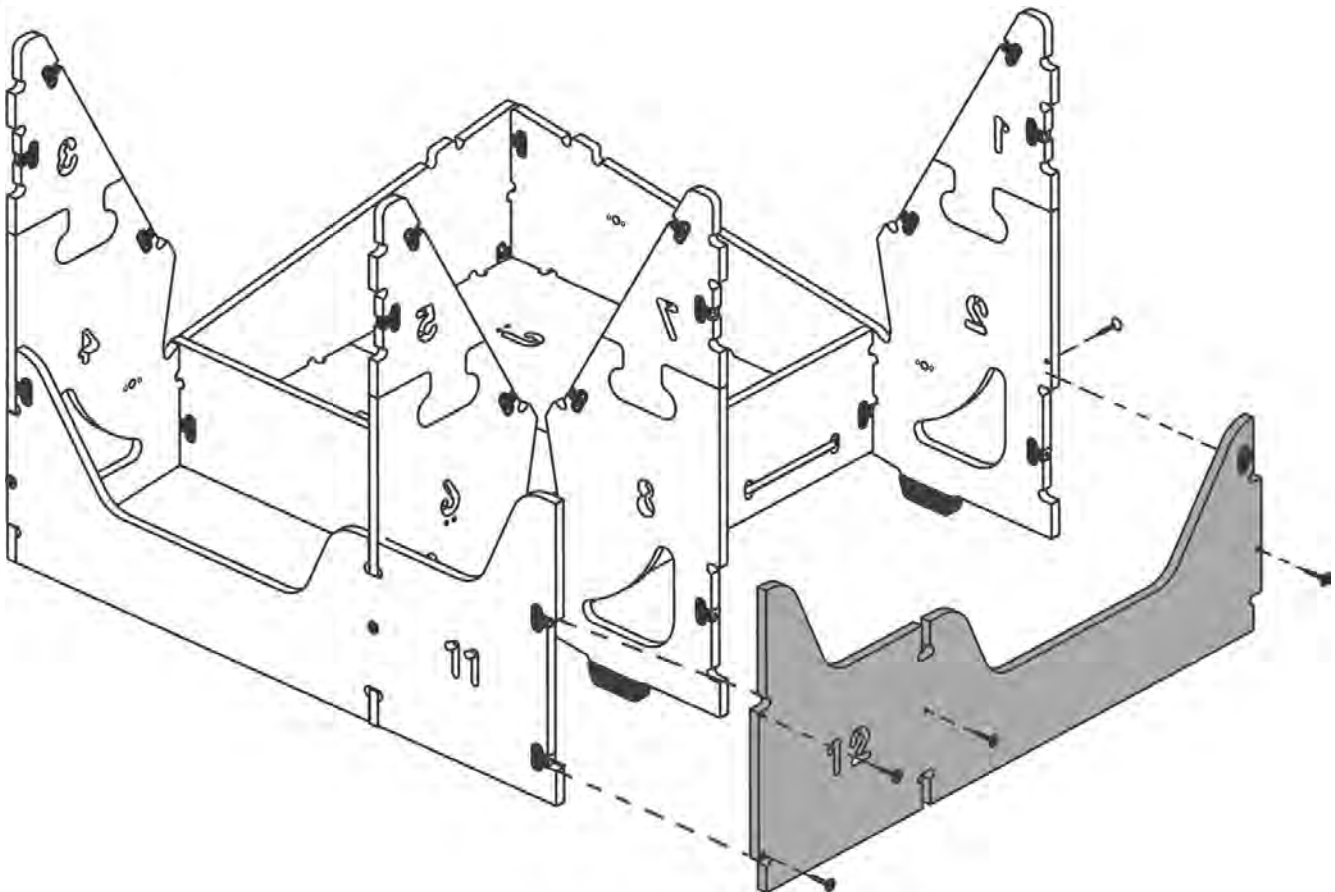
8

Place part 11 onto parts 4 and 6 and secure with three screws.

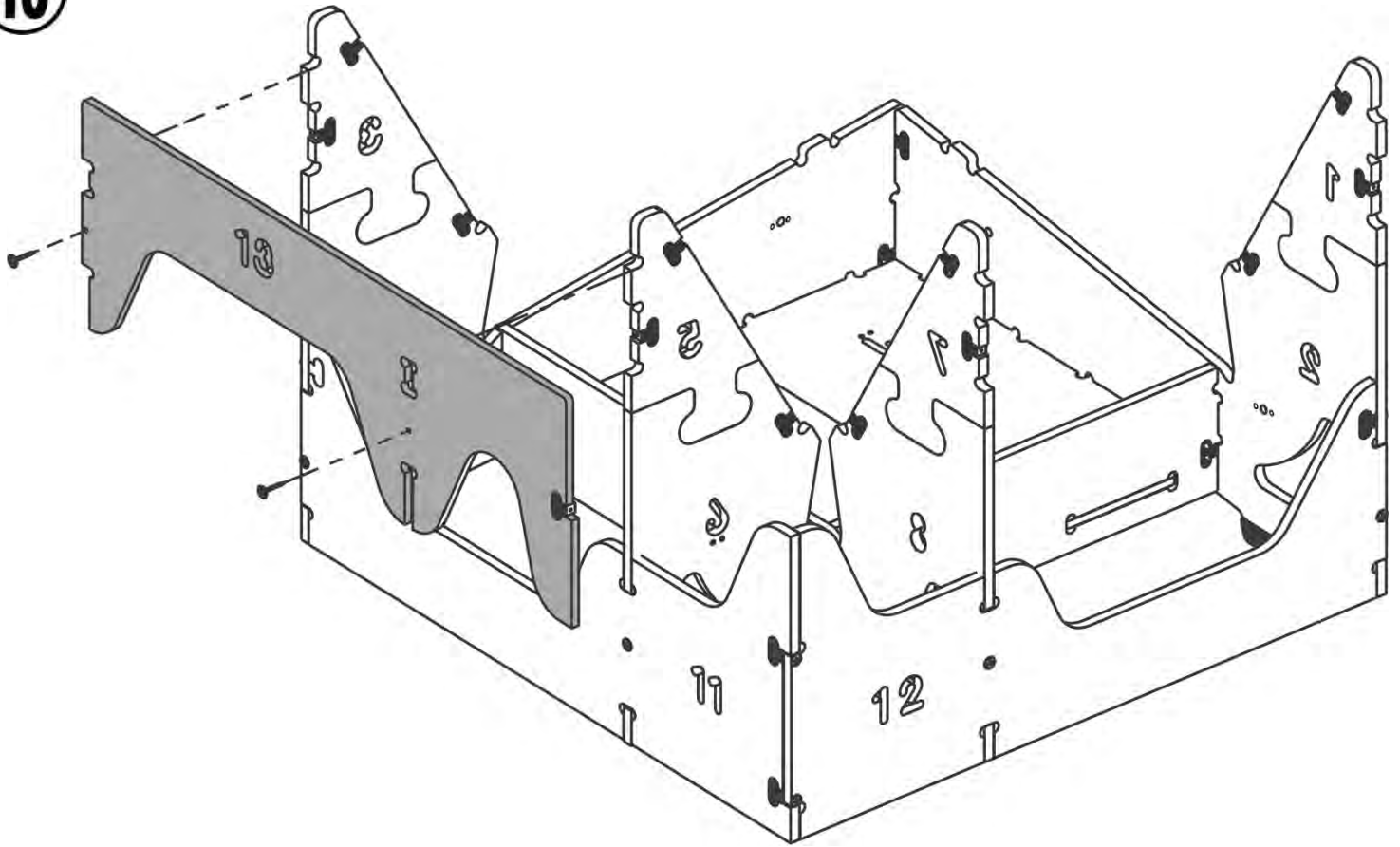


9

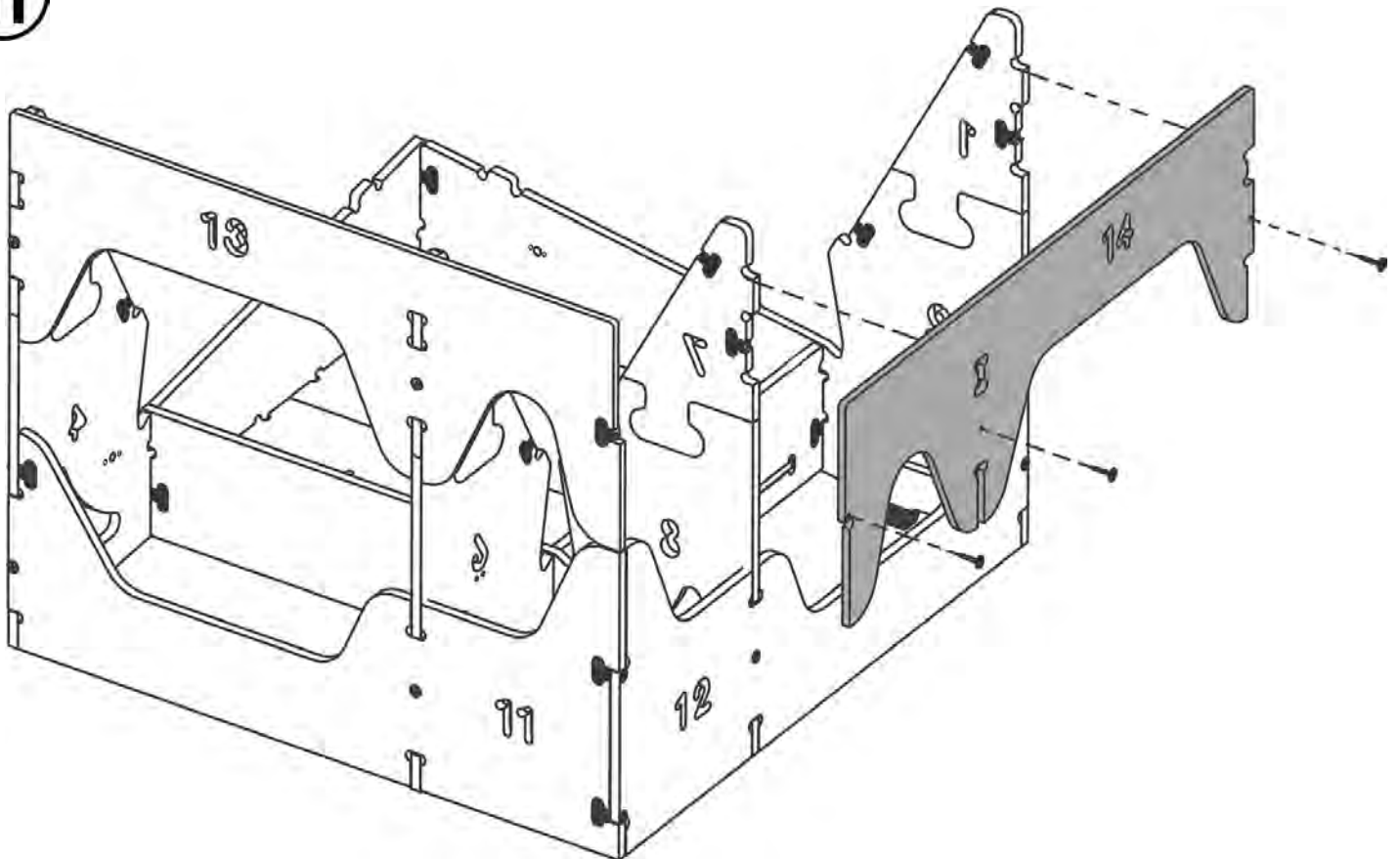
Place part 12 onto parts 2, 8 and 11 and secure with five screws.



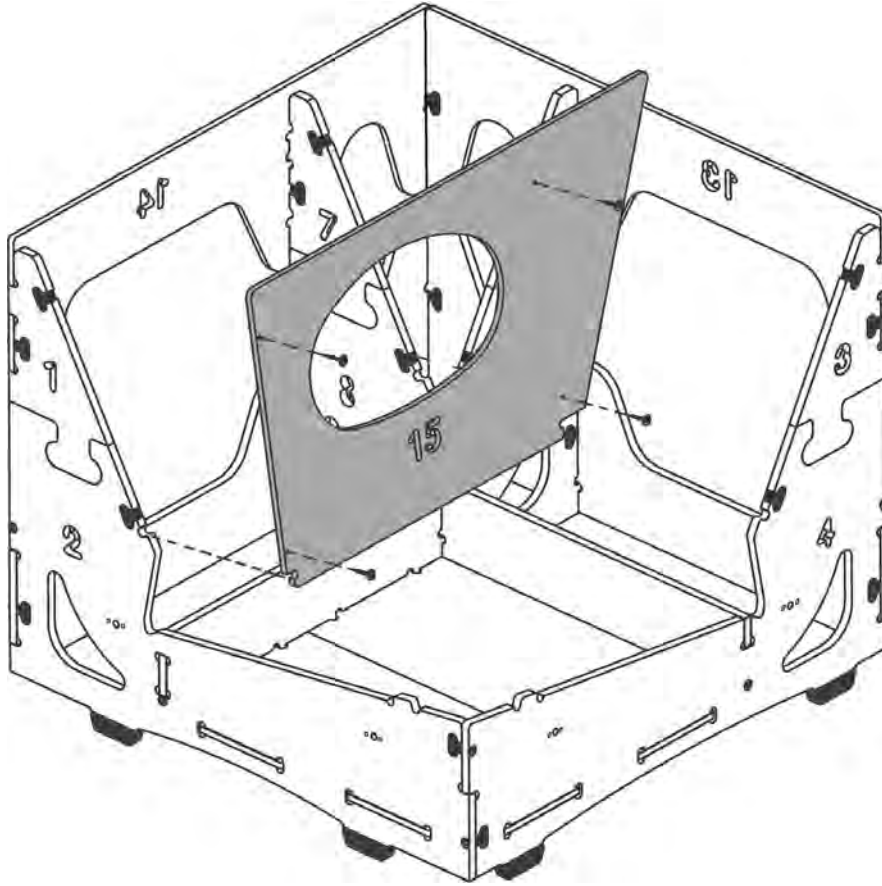
10 Place part 13 onto parts 3 and 5 and secure with two screws.



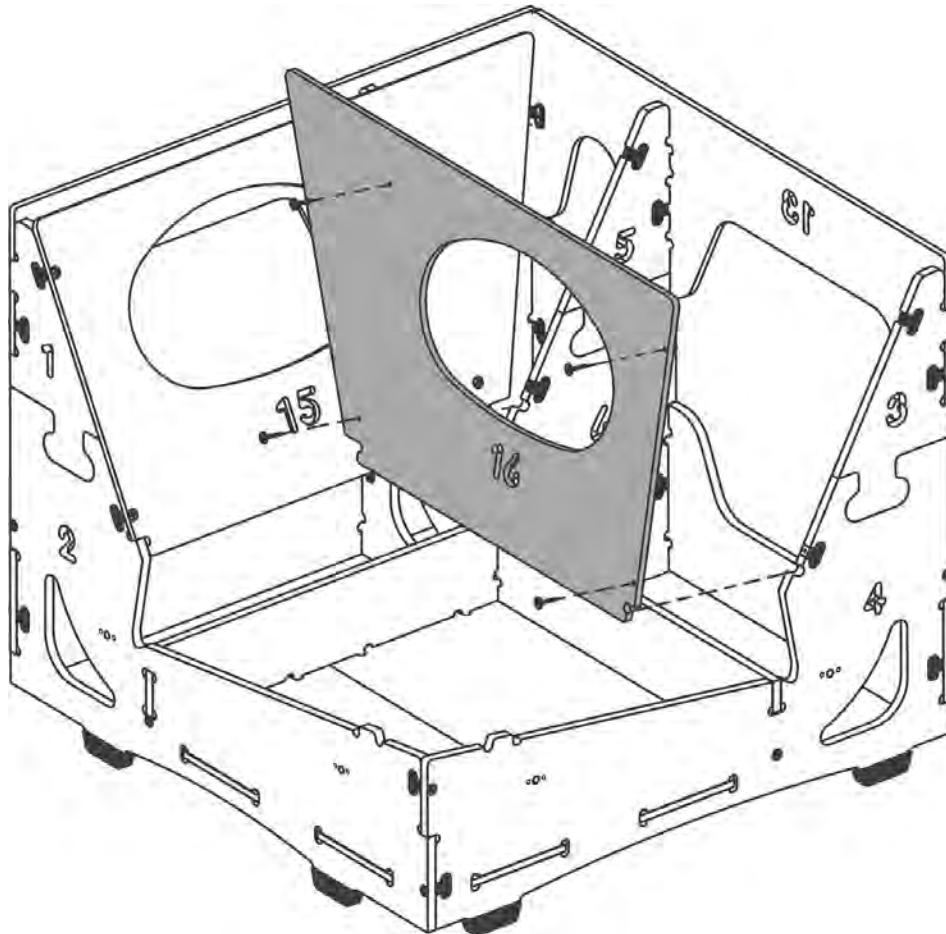
11 Place part 14 onto parts 1, 7 and 13 as shown and secure with three screws.



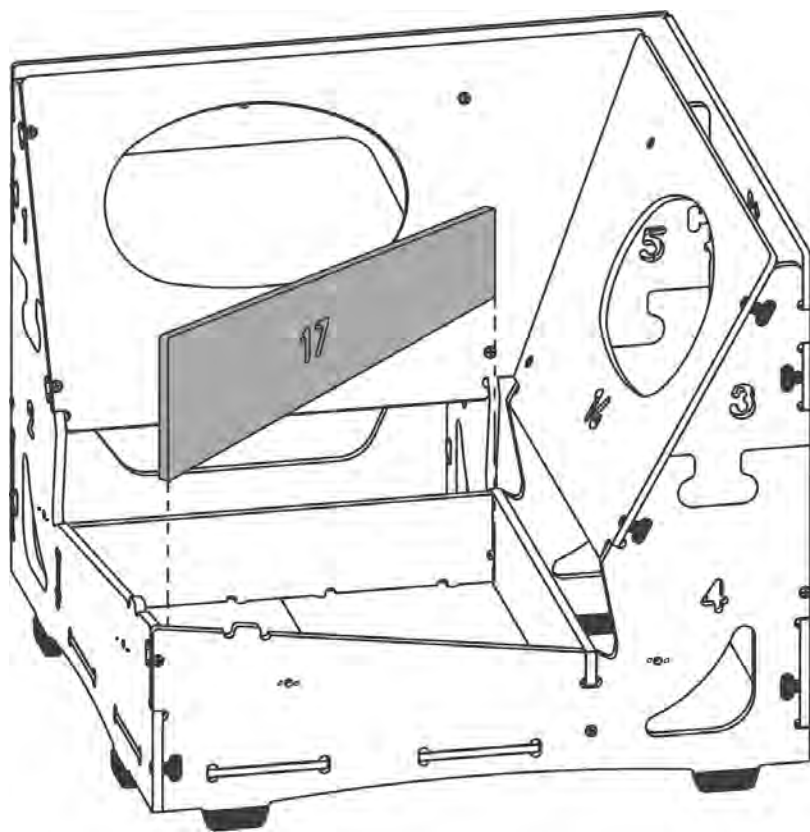
- 12** Place part 15 onto parts 1, 7, 2 and 8 as shown and secure with four screws.



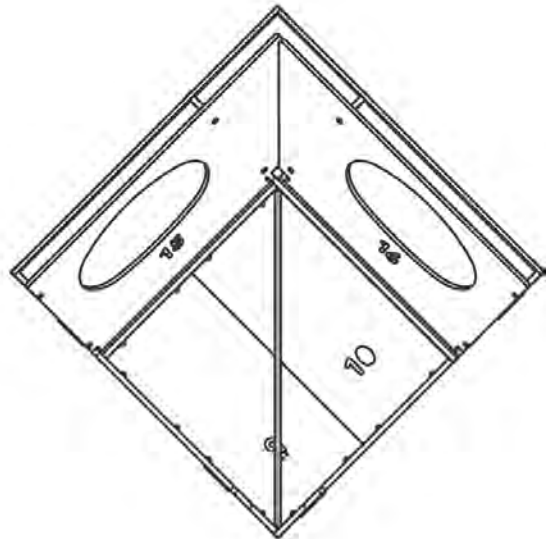
- 13** Place part 16 onto parts 3, 5, 4 and 6 as shown and secure with four screws.



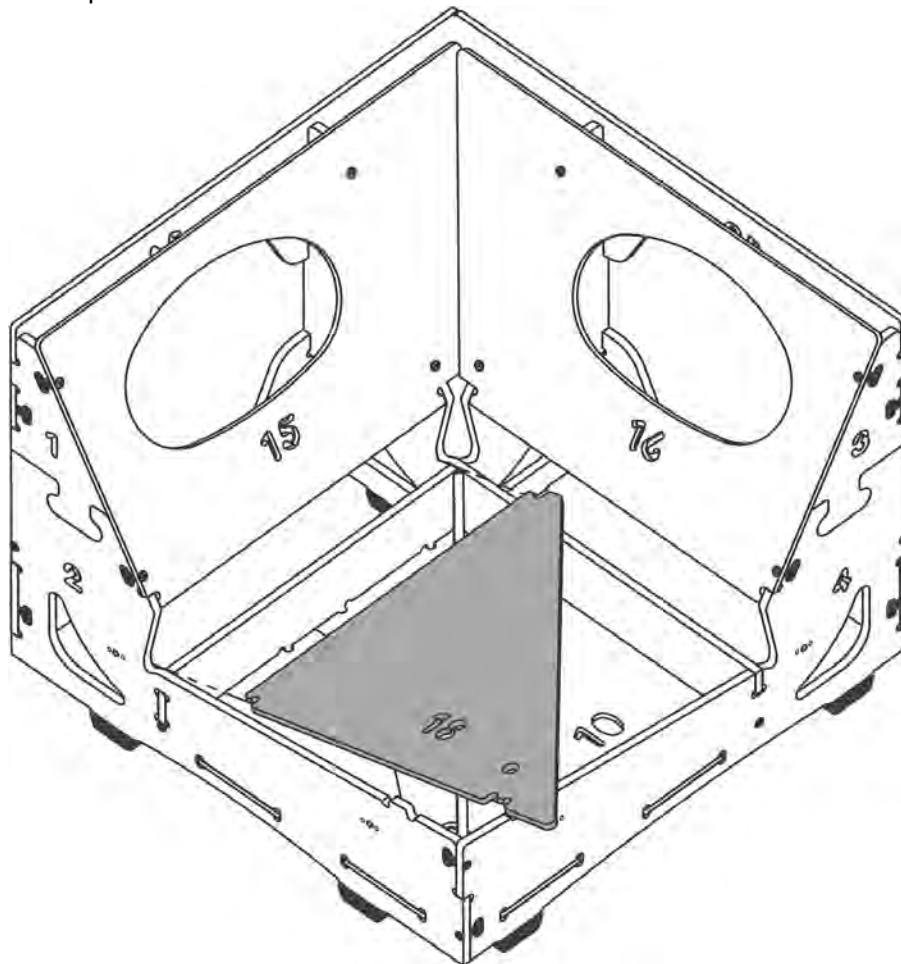
- 14** Slide part 17 into position in the storage compartment. It fits at an angle.



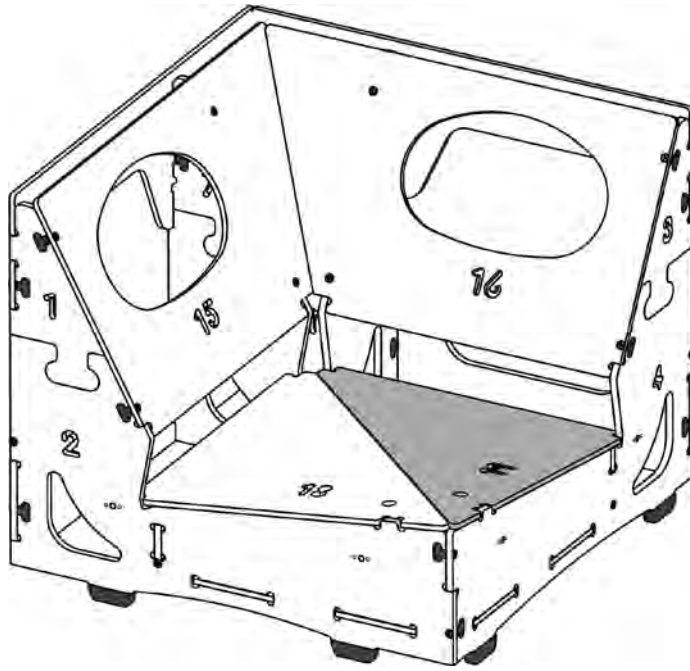
Top View



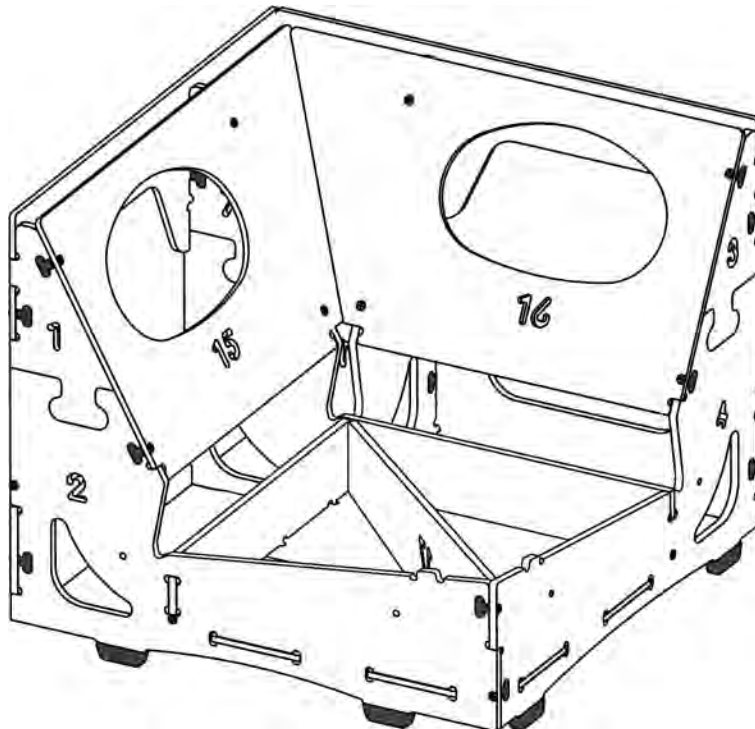
- 15** Place part 18 into position as shown.



16 Place part 19 into position as shown. Frame assembly now complete.



17 Now that you know how part 18 & 19 go into position, remove them and set them aside. [In fabric assembly we'll be tilting the frame and we don't want 18 & 19 to fall off.]



Fabric & Foam Assembly

Most of the fabric covers come inside out (It is the way they are sewn and protects the fabric surface in shipping). Unfold them all in preparation for assembly. To unfold a piece with a zipper, just pull the zipper apart as shown on the right.



You can snip off any hanging threads from the covers. They are left long during automatic trimming in the sewing process. Snipping them won't affect the strength of the seams.

Beauty tips: In addition to these printed instructions, you may want to watch our beauty tips videos on the customer service page of the website. The videos show demonstrations on how to apply the fabric covers and make them smooth and wrinkle free.

Fabrics



Seat Cushion Cover (1)



Frame Cover (1)



Elite Fabric (2)



Back Cushion Covers (2)

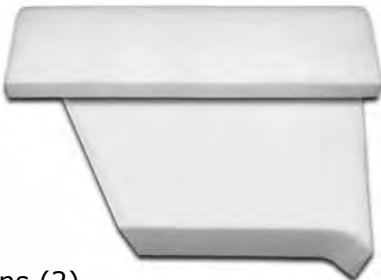
Foam



Seat Cushion (1)

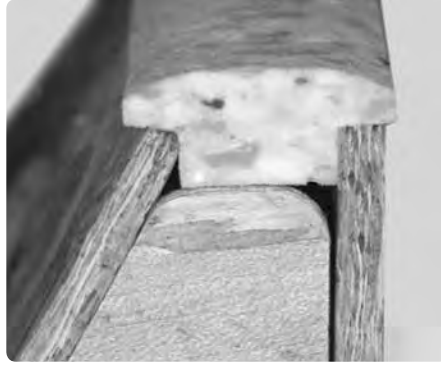


Top Rail Foam Pieces (2)



Back Cushions (2)

1 Take the Top Rail Foam Pieces and place them on the top of the frame. Push them down firmly between the front and back wood pieces.



2 Take the Frame Cover (the largest fabric piece) and place it over the back of your frame as shown. Follow the sequence in the photos.



Start at one end.



Slide the cover over the top.



Pull it down...



and tuck corner under the frame.



Move to the middle. Position the cover at the top...



...and tuck the fabric around and under the back corner of the frame.



Move to the other end.



Slide cover down and tuck the corner under the frame.



Tilt the frame so that you can access the bottom. Reach up under the edge of the fabric, pull out the two little elastic...



...bands and stretch them around the black floor glides. These keep the cover tight along the bottom of the frame.



Turn the frame upright and place parts 18 and 19 back onto the storage compartments.

3

Take the Seat Cushion Cover and the seat cushion foam and start the cover on the corner of the foam that is marked "Top Front" (see below). Zip the cover around the cushion.



4

Cover the back cushions with the elite fabric. The elite is a white silky material that will help you slide the cover over the foam in step #5. Without the elite the cover sticks to the foam and is hard to get into position.



Start by laying the elite over the wedge shaped area of the back cushion.



Leave enough overlap so that you can...



...wrap it up under the wedge.



Now bring it over the top of the foam...



...stretch it out wide...



...and lay it down the front of the foam.



Position the elite across the bottom ...



...and then bring it back up the foam so that you finish under the wedge shaped area.



Smooth the sides and make sure all the foam is covered.

5



In this next step, you'll be putting the covers on the back cushions. Be sure to match up the side of the foam that has a 45 degree angle, with the side of the cover that has the corresponding 45 degree angle.



Take the back cushion cover and place it over the side of the elite covered back cushion foam. Start at the top corner.



Fill in the wedge shaped area and the top of the cover. You can work the materials with your hands and also reach up under the cover to smooth and straighten.



Turn the cushion over, smash down the foam and as you release it, guide the foam...



...so that it pops back up into the wedge shaped area and the top of the cover. Straighten as necessary.



Work the fabric down along the sides...



...wrap the cover around the corners of the foam...



...and start zipping the cover closed.



Zip the bottom...



...and up the other side.



Once the zipper is closed, you can work the cover with your hands to make it all fit evenly. Wide sweeping motions work better than small movements.



Make sure the cover is pressed all the way up into the wedge area. Complete steps 4 & 5 for both back cushions.

6



The back cushions are now ready to be placed on the frame.



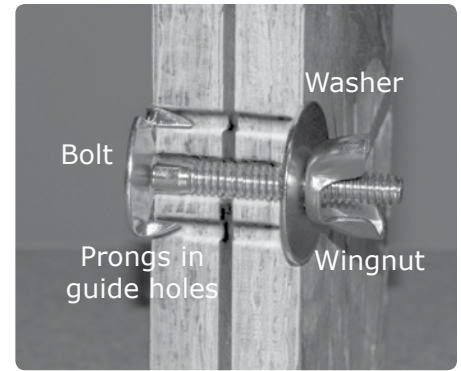
Congratulations, assembly is now complete!

Joining Your Sectional Group Together

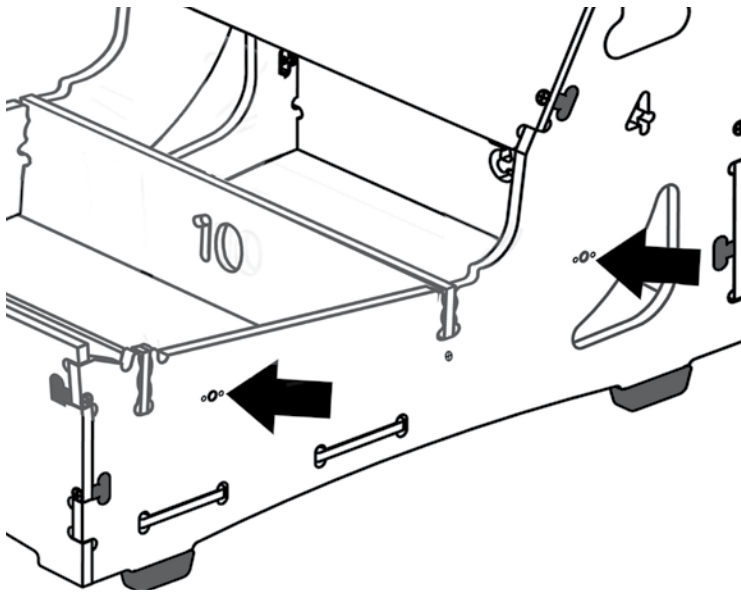
Once you have all the individual pieces of your sectional group assembled, arrange them in the room according to your design plan. Then, starting at one end of the sectional arrangement, follow these instructions to secure all the units tightly together.

The frames will be joined together with the connector bolts from the parts bags. A cut away showing how these connector bolts will be used is shown to the right of this paragraph.

There are holes for the connector bolts at the front and back of the frames as indicated by the arrows in the diagram below. Remove the storage lids to access these holes. Align the frames and slide the connectors into the holes. Tighten the wingnuts to draw the frames together.



Connector Bolt



SEAT DEPTH ADJUSTMENT

The furniture is designed to allow for seat depth adjustments. The normal setting for the cushions to protrude is 1½" out in front of the frame. Slide the seat cushion in or out to adjust to your own seat depth preference.



REMEMBER

You can snip off any hanging threads from the covers. They are left long during automatic trimming in the sewing process. Snipping them won't affect the strength of the seams.

HOME | RESERVE

Home Reserve products are
made in the USA under patents:

#6,267,446

#6,568,058

#6,981,747

#7,044,557

#7,523,989

